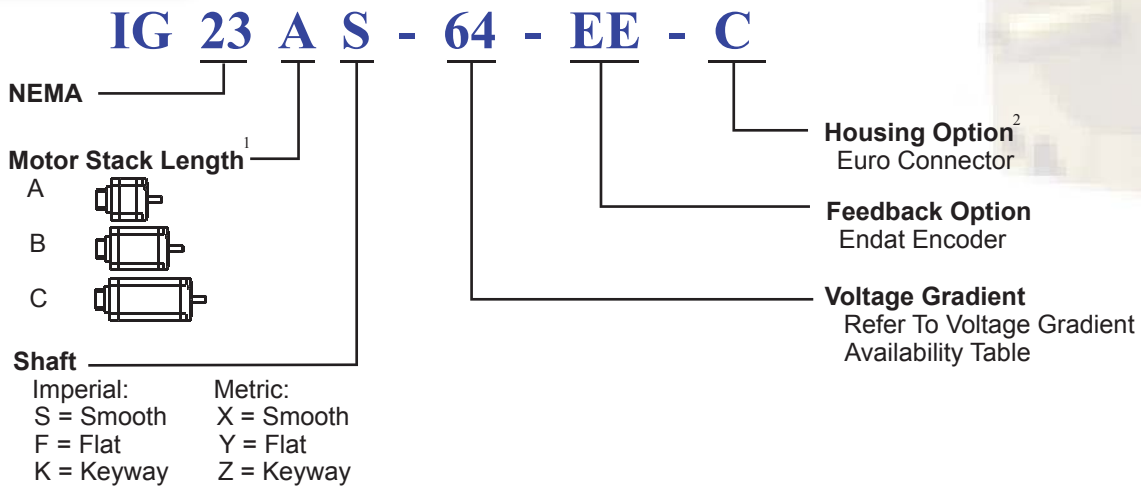


# IG 23 - C with EE Feedback

## Model Numbering

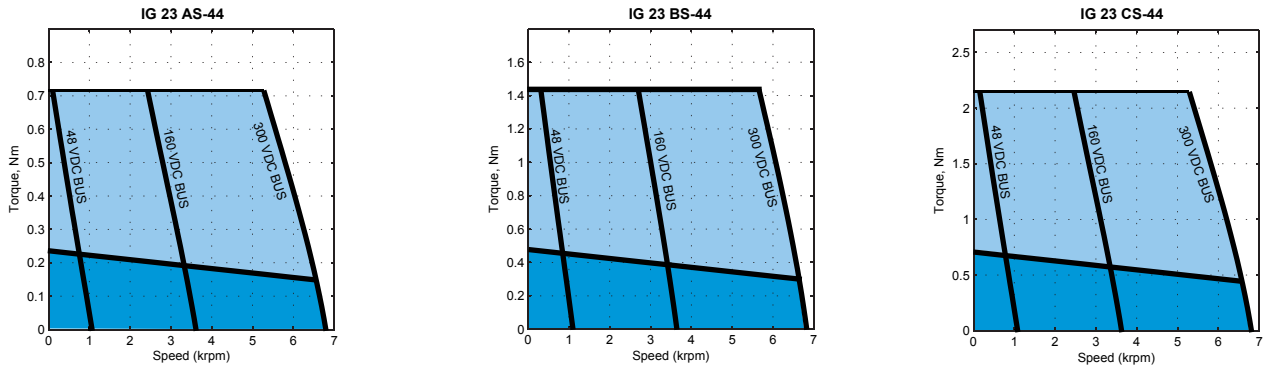


1. Refer to Dimensions for the exact length and shaft options
2. All the motors are rated IP64 and by adding front shaft seal it's rating becomes IP65

## Voltage Gradient

Voltage Constant $K_E$ (V/kRPM)	8	11	16	22	32	44	64	88	130	180
Frame Size IG 23										

## Performance Curves



Contact factory for torque-speed curves of other motors

# IG 23 - C with EE Feedback

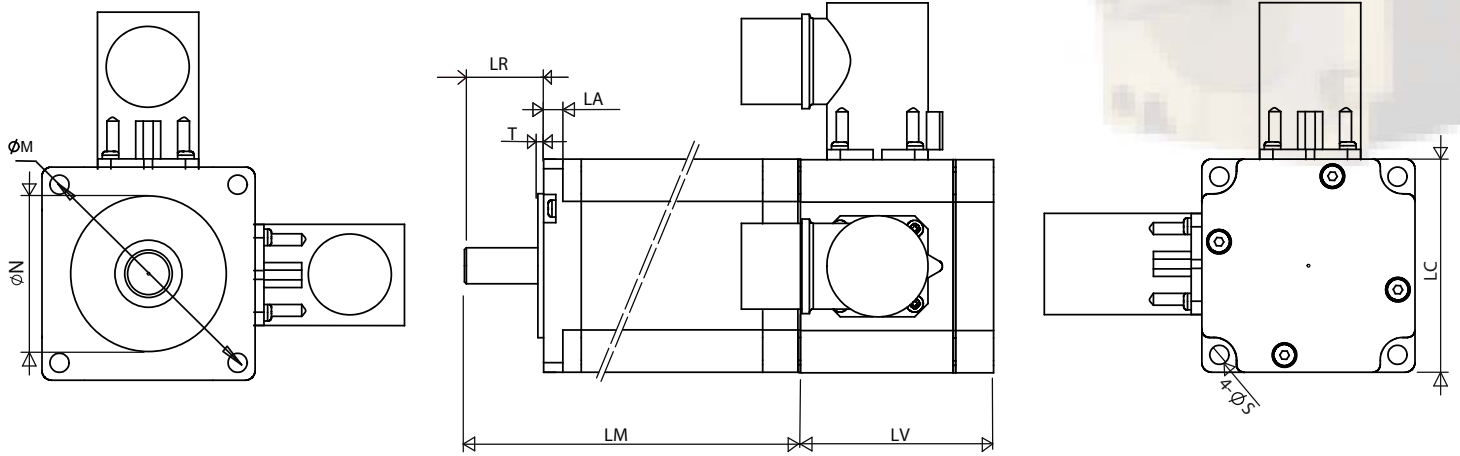
## Motor Specification

NEMA 23																		
Index	Model Number	Weight		Torque Constant (Peak) (L2L)		Voltage Constant	Cont. Stall Torque		Cont. stall current	Peak Stall Torque		Peak Stall Current	Max BEMF (Peak) (L2L)	Max Speed	L-to-L Resistance	L-to-L Inductance	Rotor Inertia	
		W		$K_T$		$K_E$	$T_{cs}$		$I_{cs}$	$T_P$		$I_P$	$U_{max}$	$n_{max}$	R	L	J	
		kg	lb	Nm/A	lb-in/A	V/krpm	Nm	lb-in	A	Nm	lb-in	A	V	rpm	Ohms	mH	kg-cm <sup>2</sup>	lb-in-sec <sup>2</sup>
13	IG 23 AS - 8	0.62	1.37	0.09	0.78	8.00	0.24	2.12	2.72	0.72	6.37	8.16	64.00	8000	0.60	0.72	0.30	0.00027
14	IG 23 BS - 8	0.96	2.12	0.09	0.78	8.00	0.48	4.25	5.44	1.44	12.75	16.32	64.00	8000	0.28	0.35	0.60	0.00053
15	IG 23 CS - 8	1.20	2.65	0.09	0.78	8.00	0.72	6.37	8.16	2.16	19.12	24.48	64.00	8000	0.21	0.24	0.90	0.00080
16	IG 23 AS - 11	0.62	1.37	0.12	1.07	11.00	0.24	2.12	1.98	0.72	6.37	5.94	88.00	8000	1.40	1.90	0.30	0.00027
17	IG 23 BS - 11	0.96	2.12	0.12	1.07	11.00	0.48	4.25	3.96	1.44	12.75	11.87	88.00	8000	0.55	0.75	0.60	0.00053
18	IG 23 CS - 11	1.20	2.65	0.12	1.07	11.00	0.72	6.37	5.94	2.16	19.12	17.81	88.00	8000	0.45	0.60	0.90	0.00080
19	IG 23 AS - 16	0.62	1.37	0.18	1.56	16.00	0.24	2.12	1.36	0.72	6.37	4.08	128.00	8000	2.65	3.20	0.30	0.00027
20	IG 23 BS - 16	0.96	2.12	0.18	1.56	16.00	0.48	4.25	2.72	1.44	12.75	8.16	128.00	8000	1.00	1.35	0.60	0.00053
21	IG 23 CS - 16	1.20	2.65	0.18	1.56	16.00	0.72	6.37	4.08	2.16	19.12	12.24	128.00	8000	0.78	1.10	0.90	0.00080
22	IG 23 AS - 22	0.62	1.37	0.24	2.15	22.00	0.24	2.12	0.99	0.72	6.37	2.97	176.00	8000	5.90	9.30	0.30	0.00027
23	IG 23 BS - 22	0.96	2.12	0.24	2.15	22.00	0.48	4.25	1.98	1.44	12.75	5.94	176.00	8000	2.20	2.90	0.60	0.00053
24	IG 23 CS - 22	1.20	2.65	0.24	2.15	22.00	0.72	6.37	2.97	2.16	19.12	8.90	176.00	8000	1.80	2.40	0.90	0.00080
25	IG 23 AS - 32	0.62	1.37	0.35	3.12	32.00	0.24	2.12	0.68	0.72	6.37	2.04	256.00	8000	15.20	18.20	0.30	0.00027
26	IG 23 BS - 32	0.96	2.12	0.35	3.12	32.00	0.48	4.25	1.36	1.44	12.75	4.08	256.00	8000	6.20	7.10	0.60	0.00053
27	IG 23 CS - 32	1.20	2.65	0.35	3.12	32.00	0.72	6.37	2.04	2.16	19.12	6.12	256.00	8000	4.60	5.70	0.90	0.00080
28	IG 23 AS - 44	0.62	1.37	0.49	4.29	44.00	0.24	2.12	0.49	0.72	6.37	1.48	352.00	8000	28.50	35.60	0.30	0.00027
29	IG 23 BS - 44	0.96	2.12	0.49	4.29	44.00	0.48	4.25	0.99	1.44	12.75	2.97	352.00	8000	11.50	14.10	0.60	0.00053
30	IG 23 CS - 44	1.20	2.65	0.49	4.29	44.00	0.72	6.37	1.48	2.16	19.12	4.45	352.00	8000	9.10	12.30	0.90	0.00080
31	IG 23 AS - 64	0.62	1.37	0.71	6.25	64.00	0.24	2.12	0.34	0.72	6.37	1.02	512.00	8000	67.20	80.90	0.30	0.00027
32	IG 23 BS - 64	0.96	2.12	0.71	6.25	64.00	0.48	4.25	0.68	1.44	12.75	2.04	512.00	8000	26.90	33.10	0.60	0.00053
33	IG 23 CS - 64	1.20	2.65	0.71	6.25	64.00	0.72	6.37	1.02	2.16	19.12	3.06	512.00	8000	21.30	27.60	0.90	0.00080
34	IG 23 AS - 88	0.62	1.37	0.97	8.59	88.00	0.24	2.12	0.25	0.72	6.37	0.74	704.00	8000	107.00	134.50	0.30	0.00027
35	IG 23 BS - 88	0.96	2.12	0.97	8.59	88.00	0.48	4.25	0.49	1.44	12.75	1.48	704.00	8000	43.30	54.50	0.60	0.00053
36	IG 23 CS - 88	1.20	2.65	0.97	8.59	88.00	0.72	6.37	0.74	2.16	19.12	2.23	704.00	8000	35.80	45.20	0.90	0.00080
37	IG 23 AS - 130	0.62	1.37	1.43	12.69	130.00	0.24	2.12	0.17	0.72	6.37	0.50	1,040.00	8000	170.20	212.50	0.30	0.00027
38	IG 23 BS - 130	0.96	2.12	1.43	12.69	130.00	0.48	4.25	0.33	1.44	12.75	1.00	1,040.00	8000	68.50	86.84	0.60	0.00053
39	IG 23 CS - 130	1.20	2.65	1.43	12.69	130.00	0.72	6.37	0.50	2.16	19.12	1.51	1,040.00	8000	56.70	71.80	0.90	0.00080
40	IG 23 AS - 180	0.62	1.37	1.98	17.57	180.00	0.24	2.12	0.12	0.72	6.37	0.36	1,440.00	8000	307.40	406.50	0.30	0.00027
41	IG 23 BS - 180	0.96	2.12	1.98	17.57	180.00	0.48	4.25	0.24	1.44	12.75	0.73	1,440.00	8000	131.00	166.10	0.60	0.00053
42	IG 23 CS - 180	1.20	2.65	1.98	17.57	180.00	0.72	6.37	0.36	2.16	19.12	1.09	1,440.00	8000	101.00	136.70	0.90	0.00080

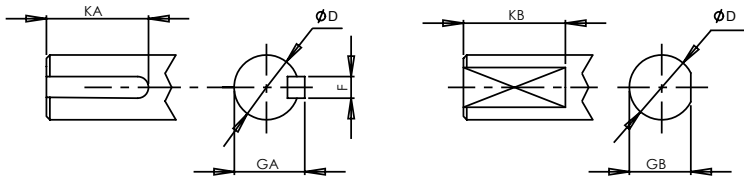
L2L: Line-to-Line

# IG 23 - C with EE Feedback

## Motor Drawing



FRONT SHAFT OPTIONS  
 (1) SMOOTH SHAFT, AS SHOWN IN THE VIEWS  
 (2) KEYWAY SHAFT  
 (3) FLAT SHAFT

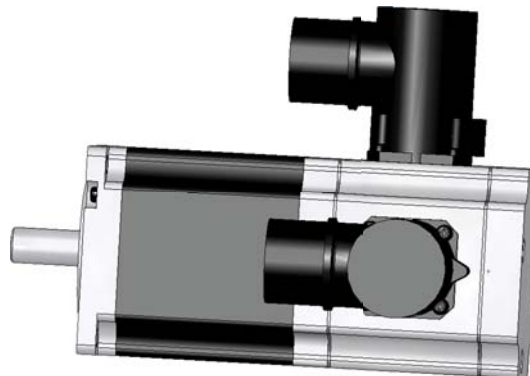


NOTE:  
 ALL THE MOTORS ARE RATED IP64 AND BY ADDING FRONT  
 SHAFT SEAL, IT'S RATING BECOMES IP65

Units: inches (mm)

IG	LM	LV	LA	T	LR	LC	N	S	M	
23	A	2.795 (71)	2.00 (50.7)	0.20 (5.1)	0.060 (1.5)	0.825 (21)	2.220 (56.4)	1.500 <sup>0</sup> <sub>-0.002</sub> (38.10 <sup>0</sup> <sub>-0.05</sub> )	0.200 (5.1)	2.625 (66.68)
	B	3.858 (98)								
	C	4.921 (125)								

Imperial Shaft Option (S/F/K), Units: Inches							Metric Shaft Option (X/Y/Z), Units: mm					
IG	D	F	GA	KA	GB	KB	D	F	GA	KA	GB	KB
23	0.3750 <sup>0</sup> <sub>-0.0005</sub>	0.0938 <sup>0</sup> <sub>-0.001</sub>	0.416 <sup>0</sup> <sub>-0.002</sub>	0.50	0.340 <sup>0</sup> <sub>-0.004</sub>	0.50	10 <sup>0</sup> <sub>-0.013</sub>	3 <sup>0</sup> <sub>-0.025</sub>	11.2 <sup>0</sup> <sub>-0.051</sub>	15	9.0 <sup>0</sup> <sub>-0.1</sub>	15.0



Mar, 08, 06

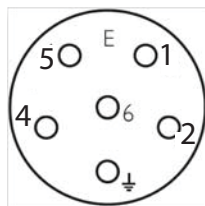
# IG 23- C with EE Feedback

## Power Supply

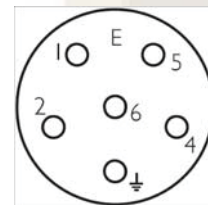
### Non Brake Power Wiring Diagram

LEOB 06C PIN	Definition
1	U
2	V
3	GND
4	-
5	-
6	W

### Power Connector, Customer View



Power Connector: LEOB06CMRSN000  
PIN Arrangement



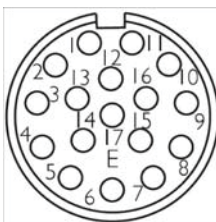
Power Mating Connector: LPRA06BFRDN170  
PIN Arrangement

## Endat Encoder

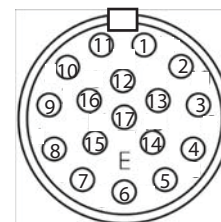
### Endat Encoder Wiring Diagram

SFMB 17G PIN	Definition
1	+5V SENSOR
2	-
3	-
4	GND SENSOR
5	THERMISTOR 1
6	THERMISTOR2
7	+5V POWER
8	CLK +
9	CLK -
10	GND POWER
11	-
12	B+
13	B-
14	DATA +
15	A+
16	A-
17	DATA -

### Encoder Connector, Customer View



Motor Side: SFMB17GMRSN000  
PIN Arrangement



Cable Side: SPNA17HFRON169  
PIN Arrangement

### Endat Encoder Data ECI 1116

Parameter	Values
Power Supply	5 VDC $\pm$ 5% max. 260 mA
Electrical Connection	PCB connector, 12-pin
Absolute position values	65536 positions per revolution
Interface	EnDat 21 (purley serial data transmission)
Code	Pure Binary
Electrically permissible speed	$\leq$ 12000 rpm
Incremental signals	2 sinusoidal signals A and B, typically 0.5 Vpp to 1.1 Vpp (0.77 V at PWT 18)
Signal period/System accuracy	16/ $\pm$ 480 $^\circ$ (typ. $\pm$ 310 $^\circ$ )
Maximum cable length	150 m (492 ft)
Moment of inertia for rotor	0.76 x 10 $^{-6}$ kgm $^2$
Permissible axial motion of measured shaft	$\pm$ 0.2 mm
Vibration 55 to 2000 Hz	$\leq$ 300 m/s $^2$ (IEC 60 068-2-6)
Shock 6 ms	$\leq$ 1000 m/s $^2$ (IEC 60 068-2-27)
Operating Temperature	-20 $^\circ$ C to 115 $^\circ$ C