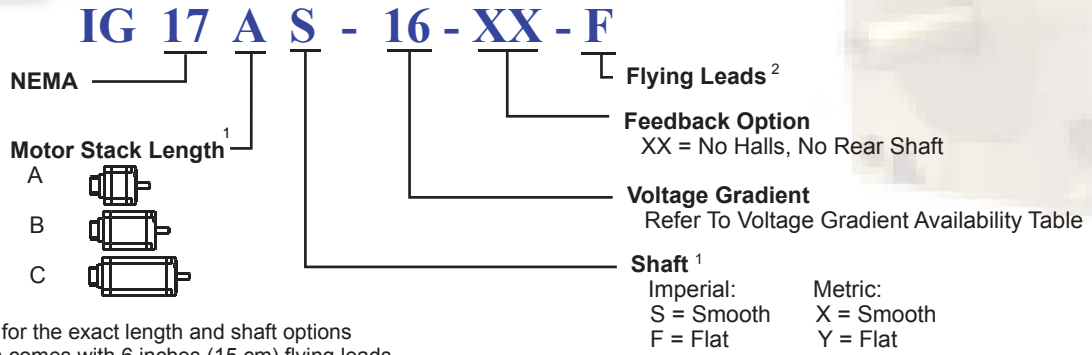


IG 17- F with XX Feedback

Model Numbering

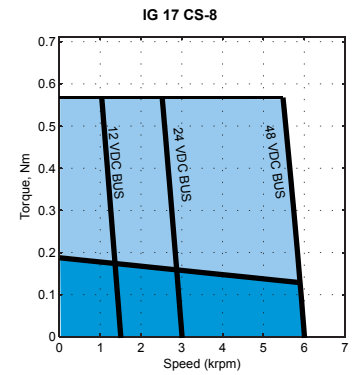
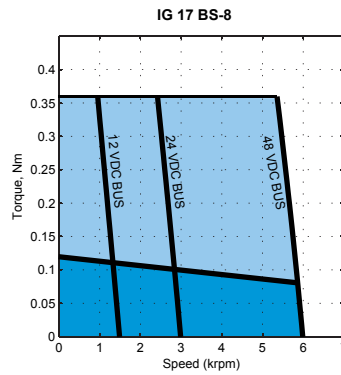
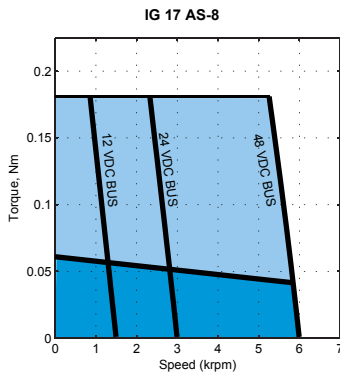


1. Refer to Dimensions for the exact length and shaft options
2. The F housing option comes with 6 inches (15 cm) flying leads

Voltage Gradient

Voltage Constant K_E (V/kRPM)	4	8	11	16
Frame Size	IG 17			

Performance Curves



Contact factory for torque-speed curves of other motors

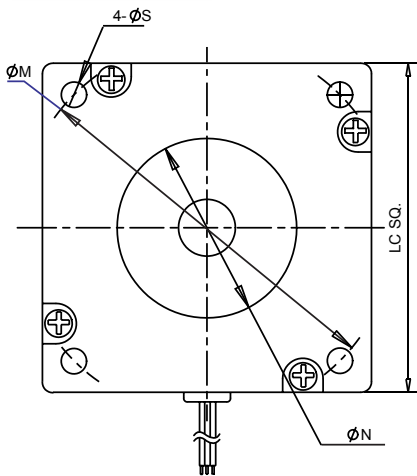
Electrical Specs

NEMA 17																			
Index	Model Number	Weight		Torque Constant (Peak) (L2L)		Voltage Constant	Cont. Stall Torque		Cont. Stall Current		Peak Stall Torque		Peak Stall Current	Max BEMF (Peak) (L2L)	Max Speed	L-to-L Resistance	L-to-L Inductance	Rotor Inertia	
		W		K_T		K_E	T_{cs}		I_{cs}		T_P		I_P	U_{max}	n_{max}	R	L	J	
		kg	lb	Nm/A	lb-in/A	V/krpm	Nm	lb-in	A	Nm	lb-in	A	V	rpm	Ohms	mH	kg-cm ²	lb-in-sec ²	
1	IG 17 AS - 4	0.32	0.71	0.04	0.39	4.00	0.06	0.53	1.36	0.18	1.59	4.08	32.00	8000	0.62	0.53	0.13	0.00012	
2	IG 17 BS - 4	0.48	1.06	0.04	0.39	4.00	0.12	1.06	2.72	0.36	3.19	8.16	32.00	8000	0.27	0.28	0.26	0.00023	
3	IG 17 CS - 4	0.63	1.39	0.04	0.39	4.00	0.19	1.71	4.38	0.57	5.04	12.92	32.00	8000	0.14	0.13	0.39	0.00035	
4	IG 17 AS - 8	0.32	0.71	0.09	0.78	8.00	0.06	0.53	0.68	0.18	1.59	2.04	64.00	8000	2.50	2.10	0.13	0.00012	
5	IG 17 BS - 8	0.48	1.06	0.09	0.78	8.00	0.12	1.06	1.36	0.36	3.19	4.08	64.00	8000	1.05	1.00	0.26	0.00023	
6	IG 17 CS - 8	0.63	1.39	0.09	0.78	8.00	0.19	1.71	2.19	0.57	5.04	6.46	64.00	8000	0.58	0.50	0.39	0.00035	
7	IG 17 AS - 11	0.32	0.71	0.12	1.07	11.00	0.06	0.53	0.49	0.18	1.59	1.48	88.00	8000	5.90	4.70	0.13	0.00012	
8	IG 17 BS - 11	0.48	1.06	0.12	1.07	11.00	0.12	1.06	0.99	0.36	3.19	2.97	88.00	8000	2.30	2.15	0.26	0.00023	
9	IG 17 CS - 11	0.63	1.39	0.12	1.07	11.00	0.19	1.71	1.59	0.57	5.04	4.70	88.00	8000	0.70	1.25	0.39	0.00035	
10	IG 17 AS - 16	0.32	0.71	0.18	1.56	16.00	0.06	0.53	0.34	0.18	1.59	1.02	128.00	8000	10.50	8.40	0.13	0.00012	
11	IG 17 BS - 16	0.48	1.06	0.18	1.56	16.00	0.12	1.06	0.68	0.36	3.19	2.04	128.00	8000	4.10	4.00	0.26	0.00023	
12	IG 17 CS - 16	0.63	1.39	0.18	1.56	16.00	0.19	1.71	1.09	0.57	5.04	3.23	128.00	8000	1.20	2.34	0.39	0.00035	

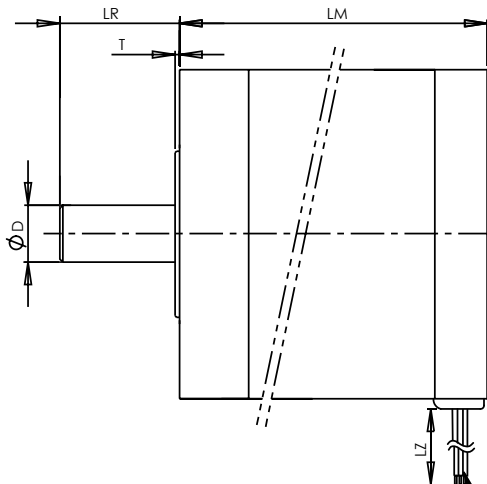
Feb, 20, 06

IG 17- F with XX Feedback

Motor Drawing

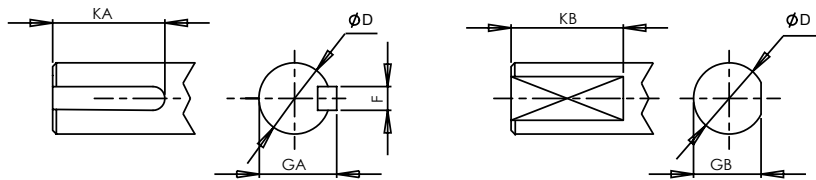
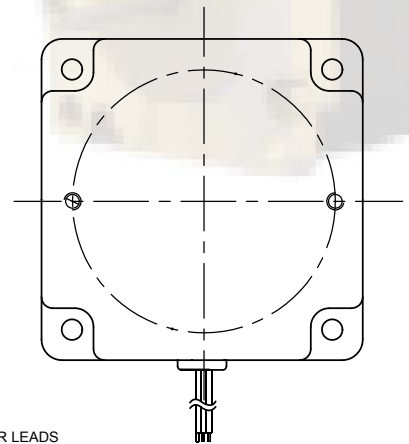


FRONT SHAFT OPTIONS
 (1) SMOOTH SHAFT: AS SHOWN IN THE VIEWS.
 (2) FLAT SHAFT



NOTE:
 THE MOTOR HAS IP40 ENCLOSURE
 AND SHAFT PROTECTION.

MOTOR LEADS
 4XAWG18 (BELOW 12 AMPS)
 OR 4XAWG16 (ABOVE 12 AMPS)



Units: inches (mm)

IG	LM	T	LR	LC	LZ	N	S	M	
17	A	0.079 (2.0)	0.945 (24)	1.665 (42.3)	12 (304.8)	0.866 ⁰ _{-0.002} (22.00 ⁰ _{-0.05})	0.118 (3.0) ¹	1.725 (43.82)	
	B								2.126 (54)
	C								2.756 (70)

¹ S is M3*0.5 min depth 0.2 (5.1) threaded hole

Imperial Shaft Option (S/F/K), Units: inches							Metric Shaft Option (X/Y/Z), Units: mm					
IG	D	F	GA	KA	GB	KB	D	F	GA	KA	GB	KB
17	0.1969 ⁰ _{-0.0005}	-	-	-	0.177 ⁰ _{-0.004}	0.50	5 ⁰ _{-0.013}	-	-	-	4.5 ⁰ _{-0.1}	12.7

Power Cable Wire Code

Wire Color	Function
YEL	PHASE U
GRN	PHASE V
BLU	PHASE W
GRN/YEL	PE

