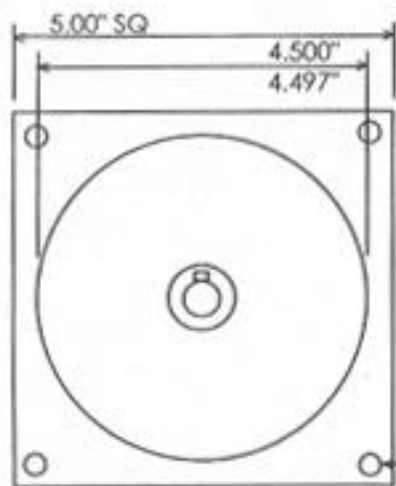
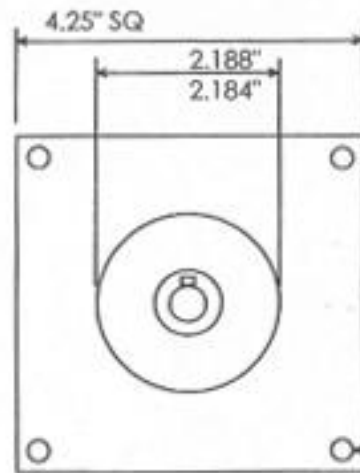


FLANGES FOR MT30 & MTS30 BRUSHED MOTORS



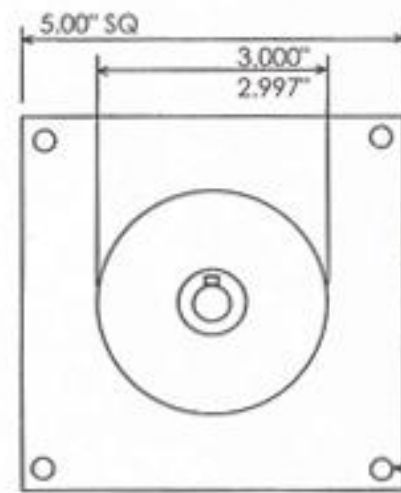
NEMA 56C FLANGE
SEM OPTION M50
Standard flange on:
MTS30U4-42
MTS30Z4-61

4 holes 3/8-16 UNC-2B
EQUI-SPACED ON A
5.875" B.C.D



A1-B
SEM OPTION M55

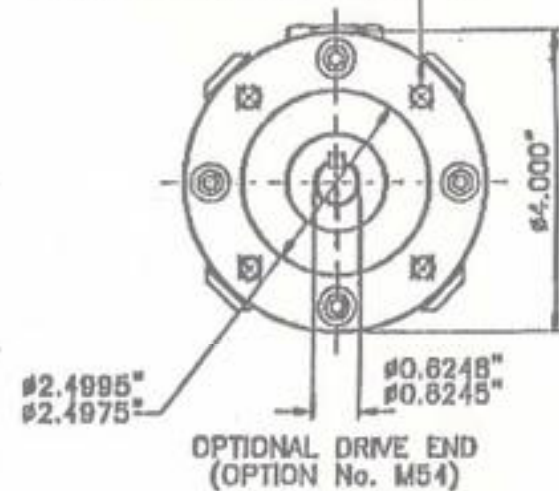
4 Thru-holes 0.266"
EQUI-SPACED ON
A 4.95" B.C.D



R4
SEM OPTION M57
Standard flange on:
MTS30M4-38
MTS30R4-42

4 Thru-holes 0.282"
EQUI-SPACED ON
A 5.741" B.C.D

4 HOLES 5/16"-18UNC-2B
0.500" DEEP.
EQUALLY SPACED IN POSITION
SHOWN ON A 3.250" BCD.



With the selection of one of the optional flanges that interchange freely between brush type motors of the 30 frame size there is no significant change in the shaft length. All corners are rounded off with the appropriate radius.