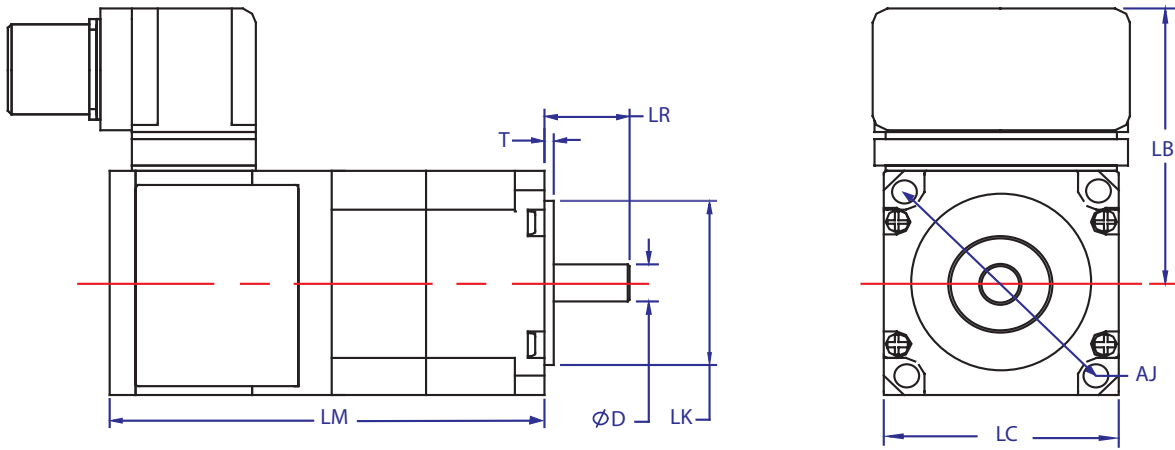


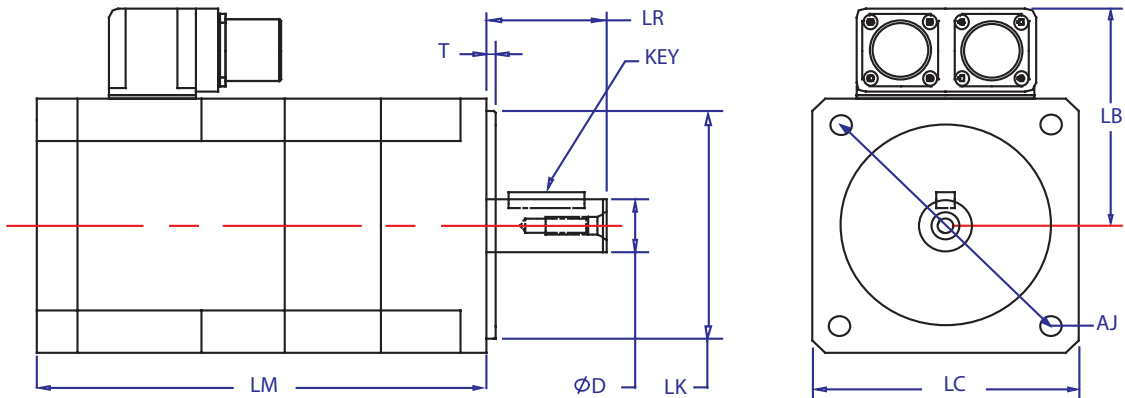
IB 5N Series-NEMA 23



Inches (mm)

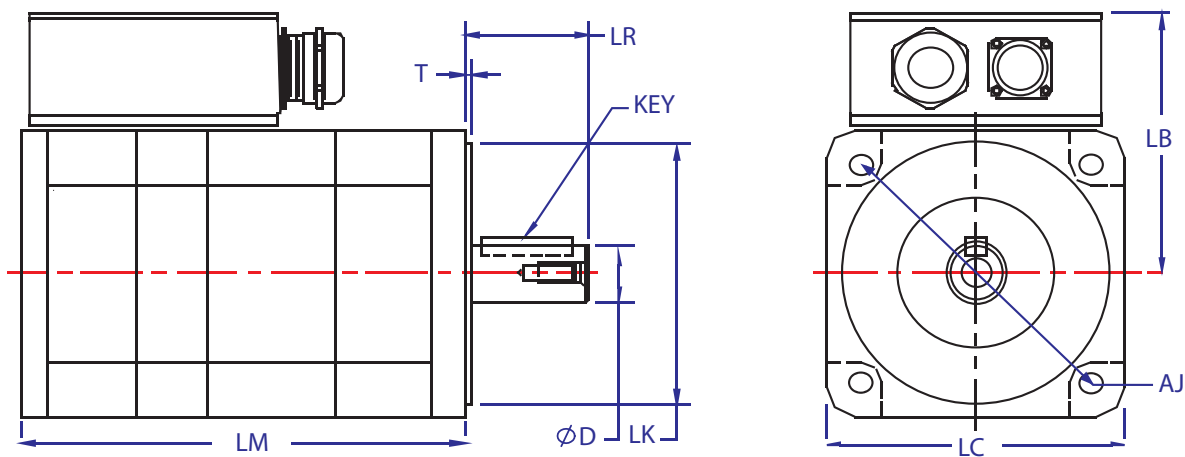
NEMA 23	LM	T	LR	LC	AJ	LK	LB	D	KEY	
5N	A	4.00 (102)	0.10 (2.5)	0.812 (20)	2.17 (55)	0.2 in Thru hole 2.625 B.C.	1.50 (38)	2.64 (67)	0.25 (6.3)	-
	B	5.00 (127)	0.10 (2.5)	0.812 (20)	2.17 (55)		1.50 (38)	2.64 (67)	0.25 (6.3)	-
	C	6.00 (153)	0.10 (2.5)	0.812 (20)	2.17 (55)		1.50 (38)	2.64 (67)	0.25 (6.3)	-

IB 6/8N Series-NEMA 34/42



Inches (mm)

NEMA 34/42	LM	T	LR	LC	AJ	LK	LB	D	KEY	
6N	A	4.56 (116)	0.10 (2.5)	1.25 (31)	3.41 (87)	0.22 in Thru hole 3.875 B.C.	2.875 (73)	2.9 (74)	0.375 (9.5)	0.1875 x 0.1875 x 1.5
	B	5.56 (141)	0.10 (2.5)	1.25 (31)	3.41 (87)		2.875 (73)	2.9 (74)	0.375 (9.5)	
	C	6.56 (167)	0.10 (2.5)	1.25 (31)	3.41 (87)		2.875 (73)	2.9 (74)	0.375 (9.5)	
8N	A	5.96 (151)	0.10 (2.5)	2.06 (52)	4.00 (102)	0.28 in Thru hole 4.95 B.C.	2.187 (55)	3.0 (76)	0.625 (15.9)	
	B	7.21 (183)	0.10 (2.5)	2.06 (52)	4.00 (102)		2.187 (55)	3.0 (76)	0.625 (15.9)	
	C	8.46 (214)	0.10 (2.5)	2.06 (52)	4.00 (102)		2.187 (55)	3.0 (76)	0.625 (15.9)	

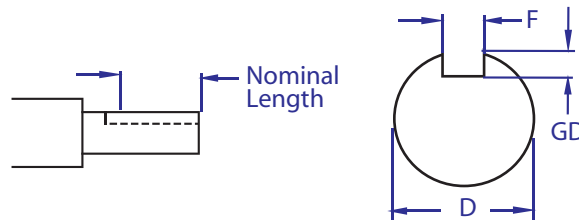


Inches (mm)

NEMA 56	LM	T	LR	LC	AJ	LK	LB	D	KEY ⁴ GDxFxL	
9N	A	7 (177)	0.13 (3.3)	2.063 (52)	5.17 (131)	0.4 in. Thru hole 5.875 B.C.	4.5 (114)	4.3 (108)	0.625 (15)	0.1875 x 0.1875 x 1.5
	B	9 (228)	0.13 (3.3)	2.063 (52)	5.17 (131)		4.5 (114)	4.3 (108)	0.625 (15)	
	C	11 (279)	0.13 (3.3)	2.063 (52)	5.17 (131)		4.5 (114)	4.3 (108)	0.625 (15)	

- 1) Standard configuration: All motors supplied with commutation resolver, NEMA mounting.
- 2) IB 50/63/80 has two threaded connectors (metric style) for resolver and motor terminations.
- 3) IB 90 has one threaded connector (metric style) for resolver, termination of motor lead wires and terminal block.
- 4) Refer to NEMA Key Configuration
- 5) Detailed engineering drawings available upon request.

NEMA Key Configuration



IB 5N Series



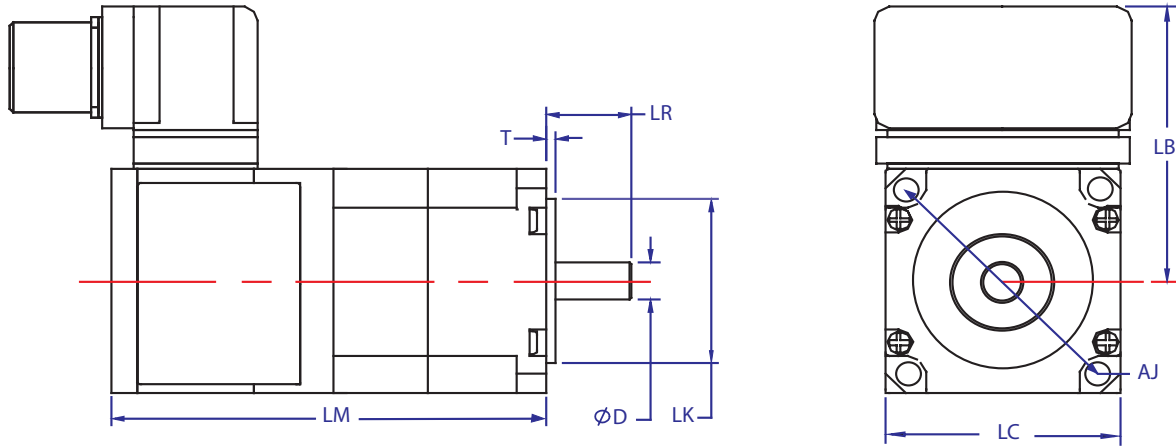
IB 6N Series



IB 9N Series



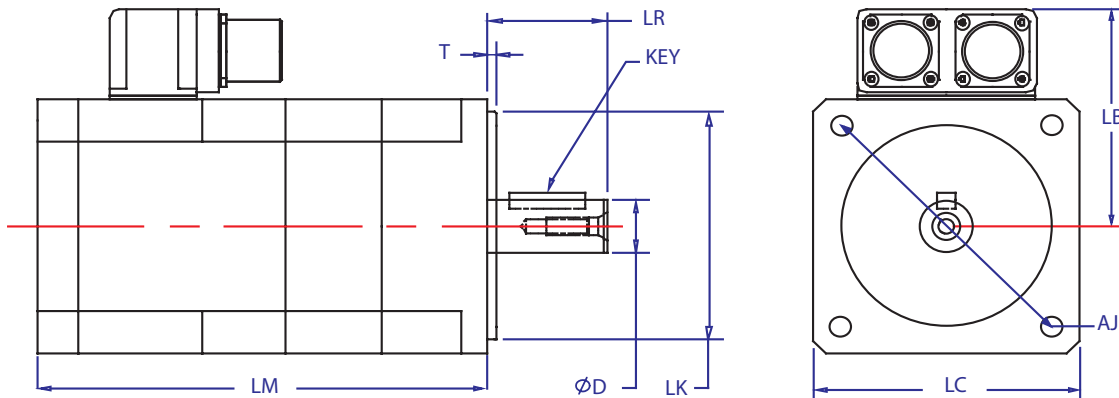
IB 50 Series- IEC Mounting



Inches (mm)

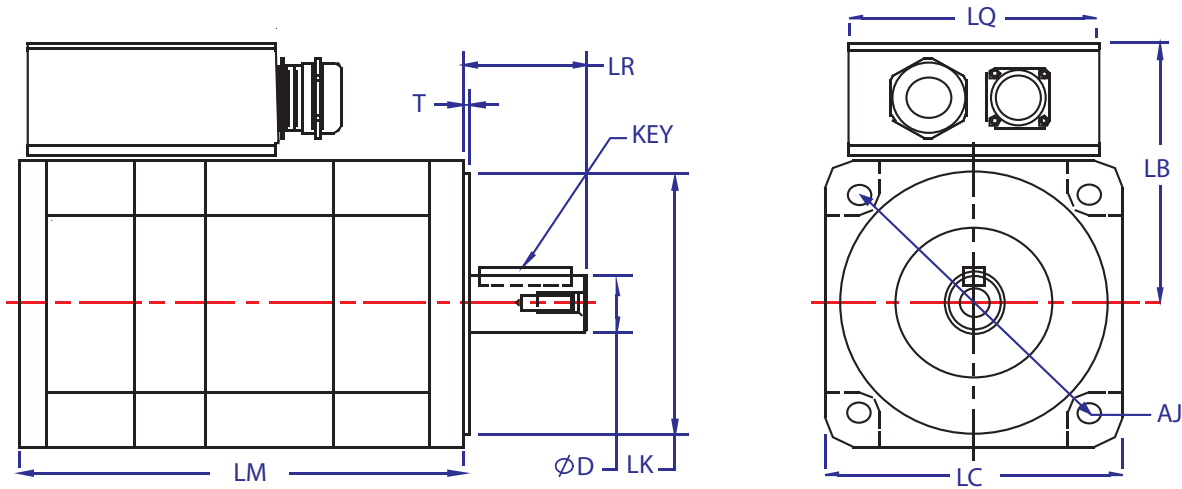
IB	LM	T	LR	LC	AJ	LK	LB	D	KEY	
50	A	4 (102)	0.098 (2.5)	0.78 (20)	2.2 (55)	4.5 mm Thru hole 63 B.C.	1.57 (39.9)	2.64 (67)	0.354 (9.0)	-
	B	5 (127)	0.098 (2.5)	0.78 (20)	2.2 (55)		1.57 (39.9)	2.64 (67)	0.354 (9.0)	-
	C	6 (153)	0.098 (2.5)	0.78 (20)	2.2 (55)		1.57 (39.9)	2.64 (67)	0.354 (9.0)	-

IB 63/80 Series-IEC Mounting



Inches (mm)

IB	LM	T	LR	LC	AJ	LK	LB	D	KEY	
63	A	4.56 (116)	0.098 (2.5)	0.92 (23)	2.6 (67)	5.6 mm Thru hole 75 mm B.C.	2.36 (60.0)	2.6 (65)	0.43 (11.0)	4x4x12
	B	5.56 (141)	0.098 (2.5)	0.92 (23)	2.6 (67)		2.36 (60.0)	2.6 (65)	0.43 (11.0)	4x4x12
	C	6.56 (167)	0.098 (2.5)	0.92 (23)	2.6 (67)		2.36 (60.0)	2.6 (65)	0.43 [11.0]	4x4x12
80	A	5.93 (151)	0.118 (3.0)	1.5 (40)	3.5 (89)	6.6 mm Thru hole 100 mm B.C.	3.2 (80.0)	3.0 (76.3)	0.74 (19.0)	6x6x24
	B	7.18 (183)	0.118 (3.0)	1.5 (40)	3.5 (89)		3.2 (80.0)	3.0 (76.3)	0.74 (19.0)	6x6x24
	C	8.43 (214)	0.118 (3.0)	1.5 (40)	3.5 (89)		3.2 (80.0)	3.0 (76.3)	0.74 (19.0)	6x6x24



Inches (mm)

IB	LM	T	LR	LC	AJ	LK	LQ	LB	D	KEY	
90	A	6.99 (177)	0.098 (2.5)	1.95 (50)	4.7 (120)	10 mm Thru hole 130 B.C.	4.33 (110.0)	3.62 (91.9)	4.3 (109)	0.94 (24.0)	8x7x40
	B	8.99 (228)	0.098 (2.5)	1.95 (50)	4.7 (120)		4.33 (110.0)	3.62 (91.9)	4.3 (109)	0.94 (24.0)	8x7x40
	C	10.99 (279)	0.098 (2.5)	1.95 (50)	4.7 (120)		4.33 (110.0)	3.62 (91.9)	4.3 (109)	0.94 (24.0)	8x7x40

- 1) Standard configuration: All motors supplied with commutation resolver, square mounting flange.
- 2) IB 50/63/80 has two threaded connectors (metric style) for resolver and motor terminations.
- 3) IB 90 has one threaded connector (metric style) for resolver, termination of motor lead wires and terminal block.
- 4) Order mating connectors as separate items.
- 5) The motor have a threaded hole on the shaft end.
 The IB 63 series is M4 x 0.7 threads (11 mm deep)
 The IB 80/90 series is M6 x 1.0 threads (17 mm deep)
- 6) Detailed engineering drawings available upon request.

IB 50 Series



IB 63 Series



IB 90 Series

