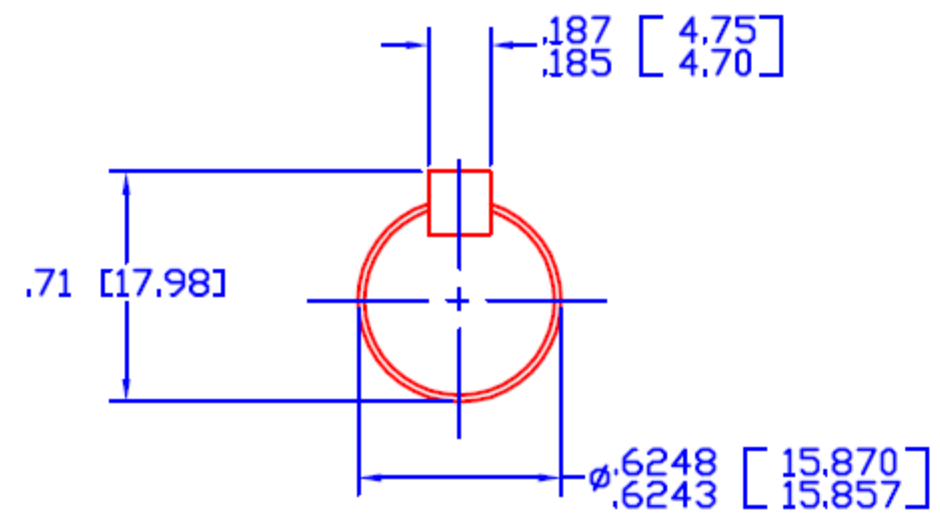
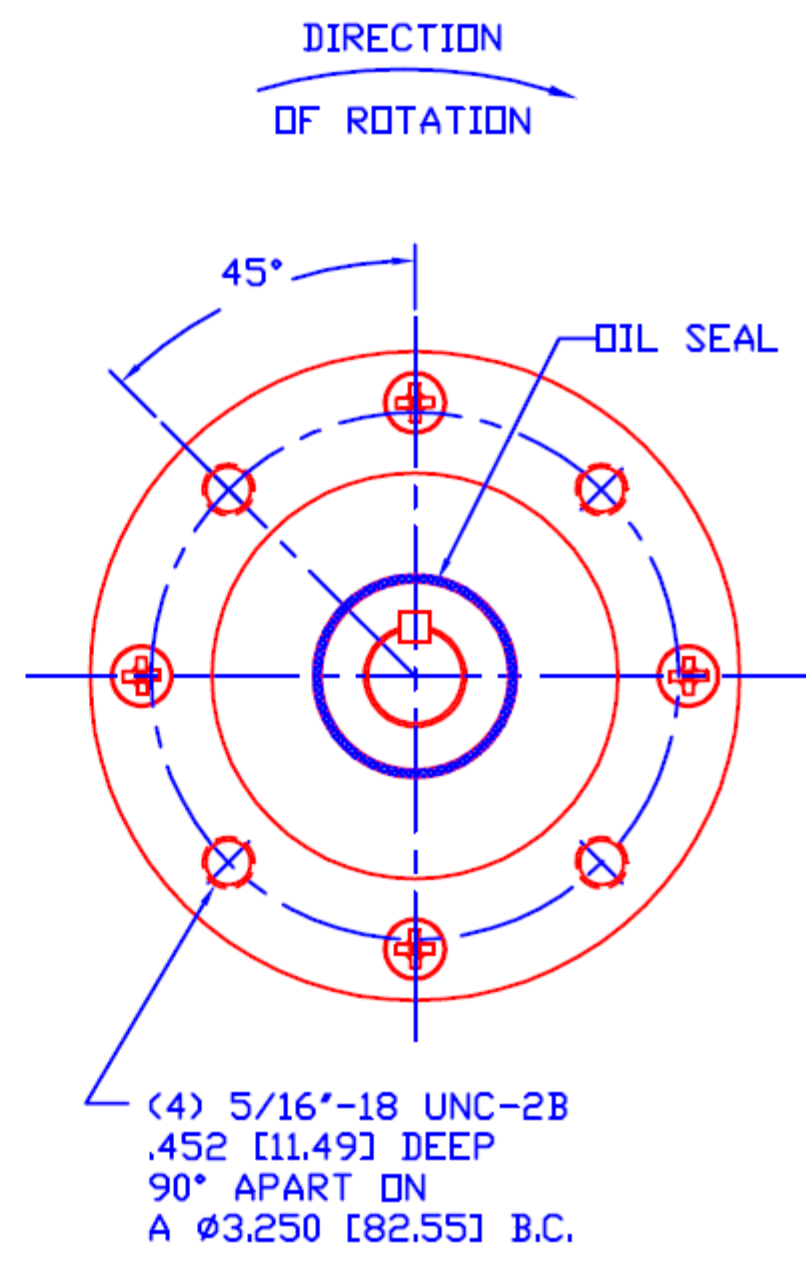
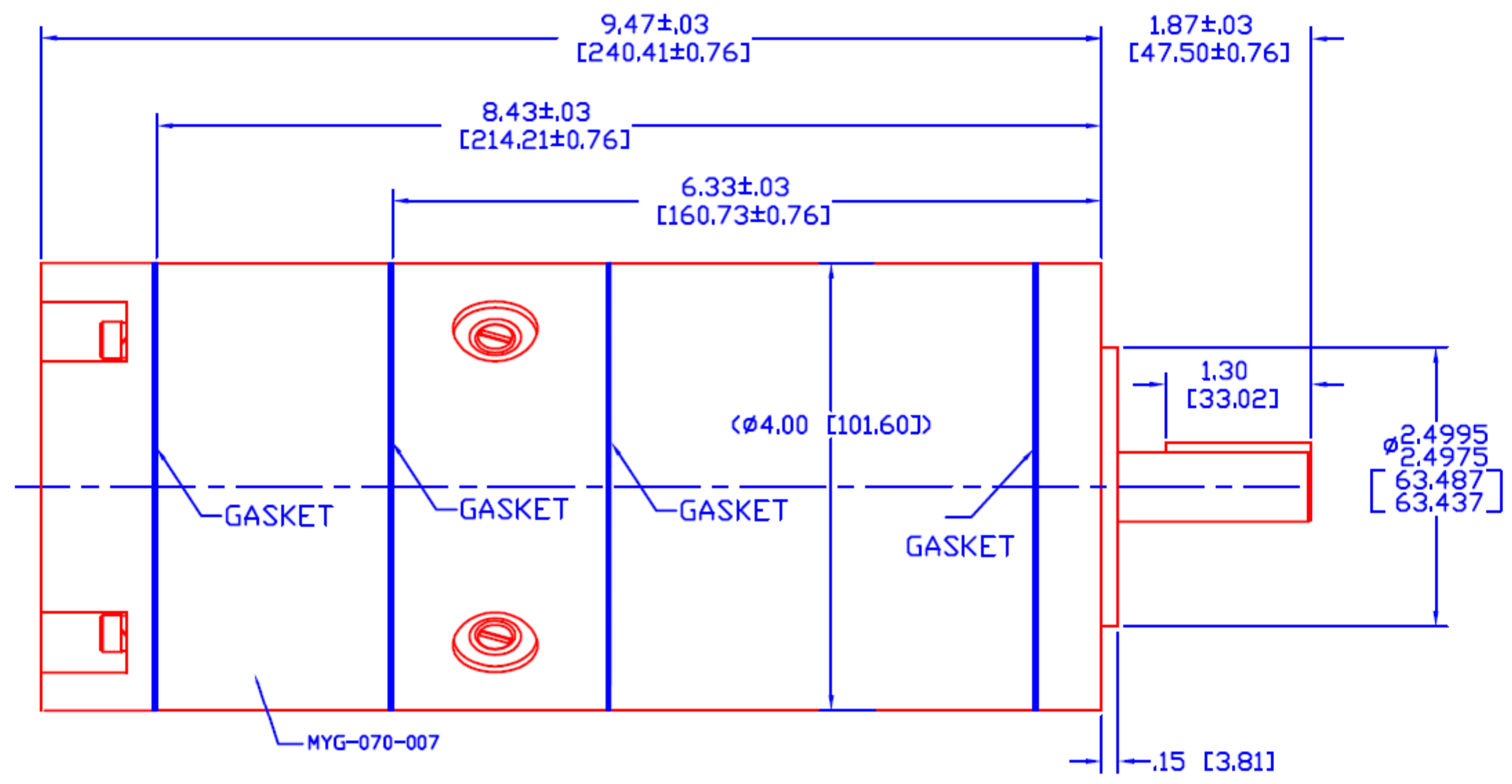
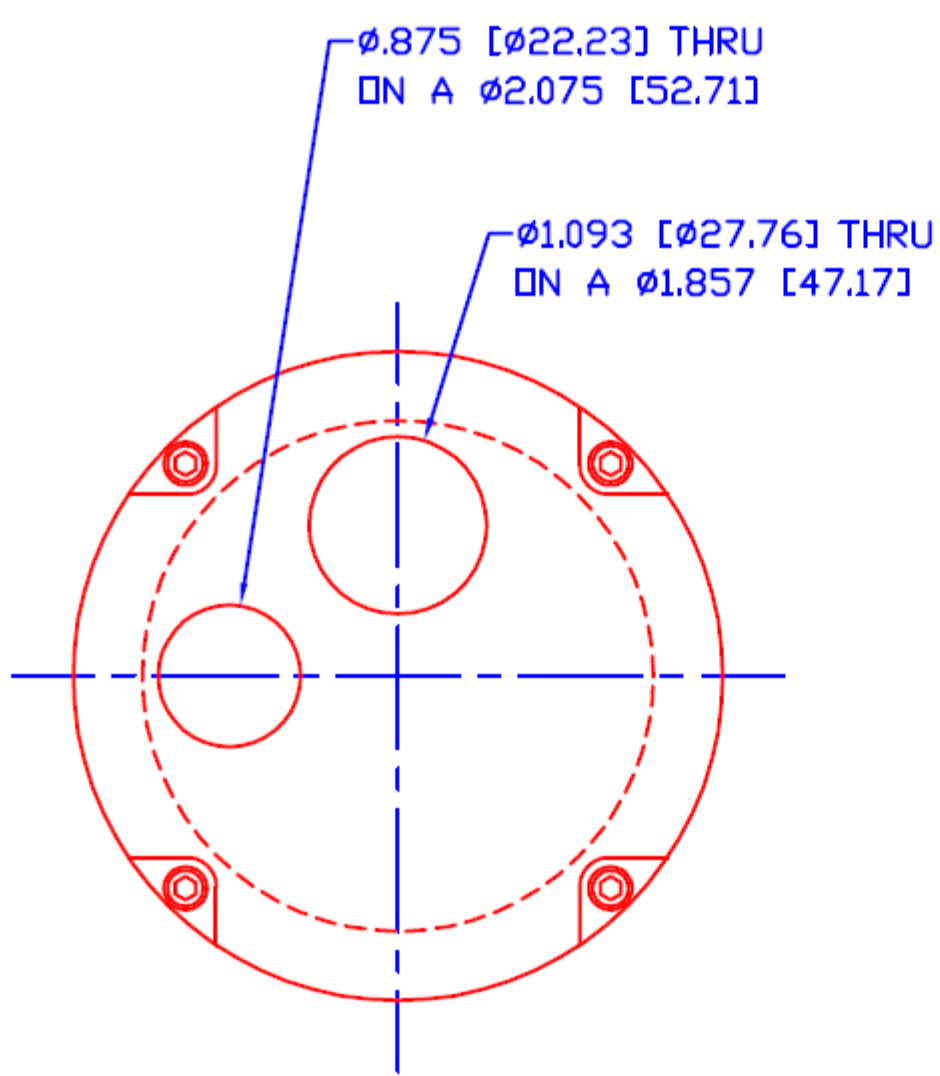


REVISIONS			
REV	DESCRIPTION	REDACTOR	DATE
A	PROTOTYPE		00/00/00
B	1.30 WAS 1.500, Ø.6248/Ø.6243 WAS Ø.6248/Ø.6245 CHANGE TACH TO RDC 205	ZHAO	2011/01/13
C	ADD TACH LABEL	LU	2011/11/25
D	CHANGE TACH	HAI	2012/10/11



TACH SPECIFICATIONS:

TACH: MYG-070-007

COLOR	FUNCTION
RED	TACH (+)
BLACK	TACH (-)

TACH VOLTAGE SENSITIVITY: 7 V/KRPM  
TACH VOLTAGE RIPPLE PEAK TO PEAK: 3% MAX.  
TACHD WITH SILVER BRUSH

MOTOR SPECIFICATIONS:

TORQUE CONSTANT (Kt) = 31.1 ±10% OZ-IN/AMP  
VOLTAGE CONSTANT (Ke) = 23.0 ±10% VOLTS/KRPM

NOTE: MOTOR ROTATION IS CLOCKWISE WHEN VIEWED FROM OUTPUT SHAFT WITH POSITIVE VOLTAGE APPLIED TO RED LEAD.

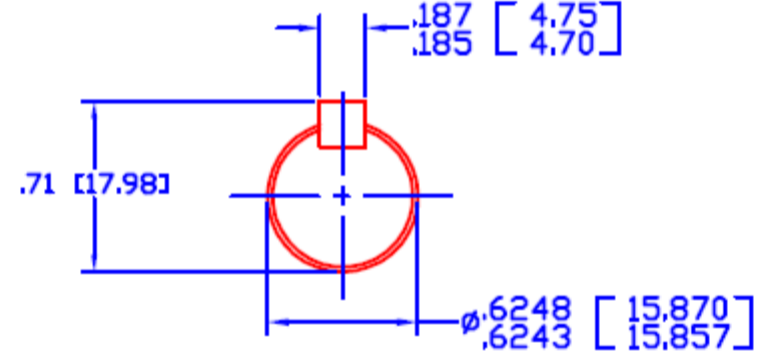
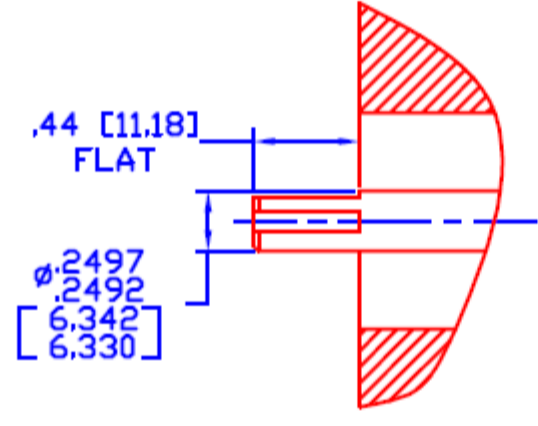
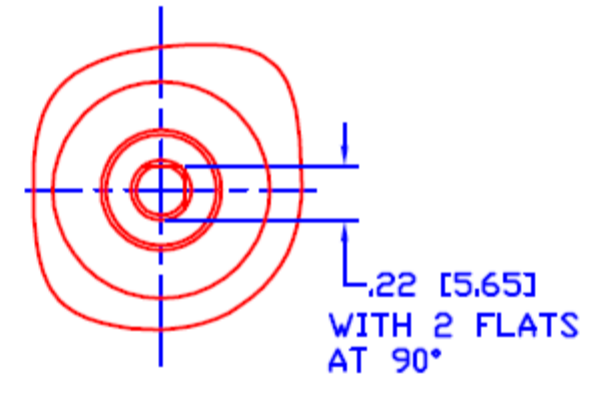
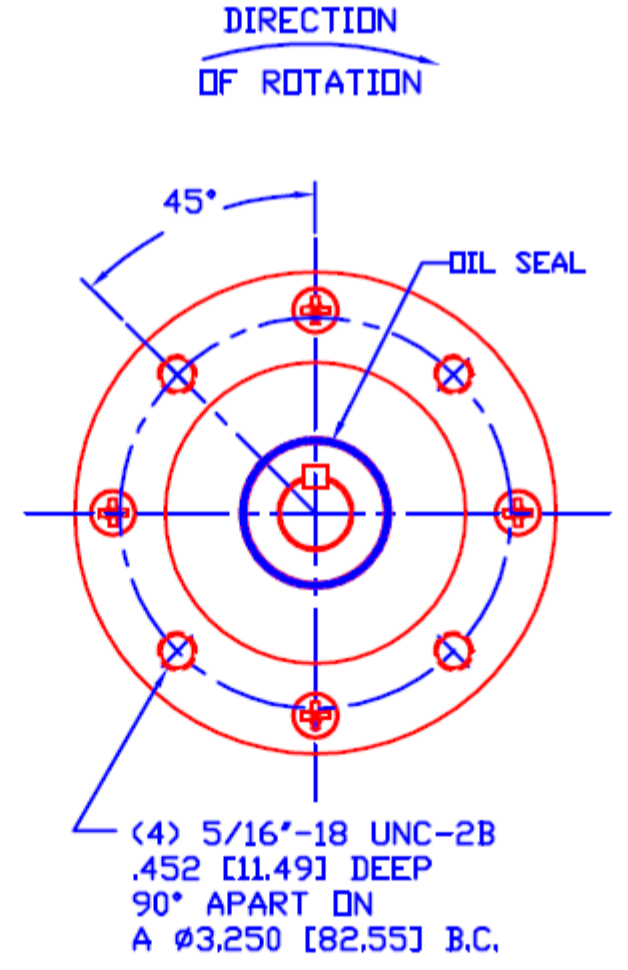
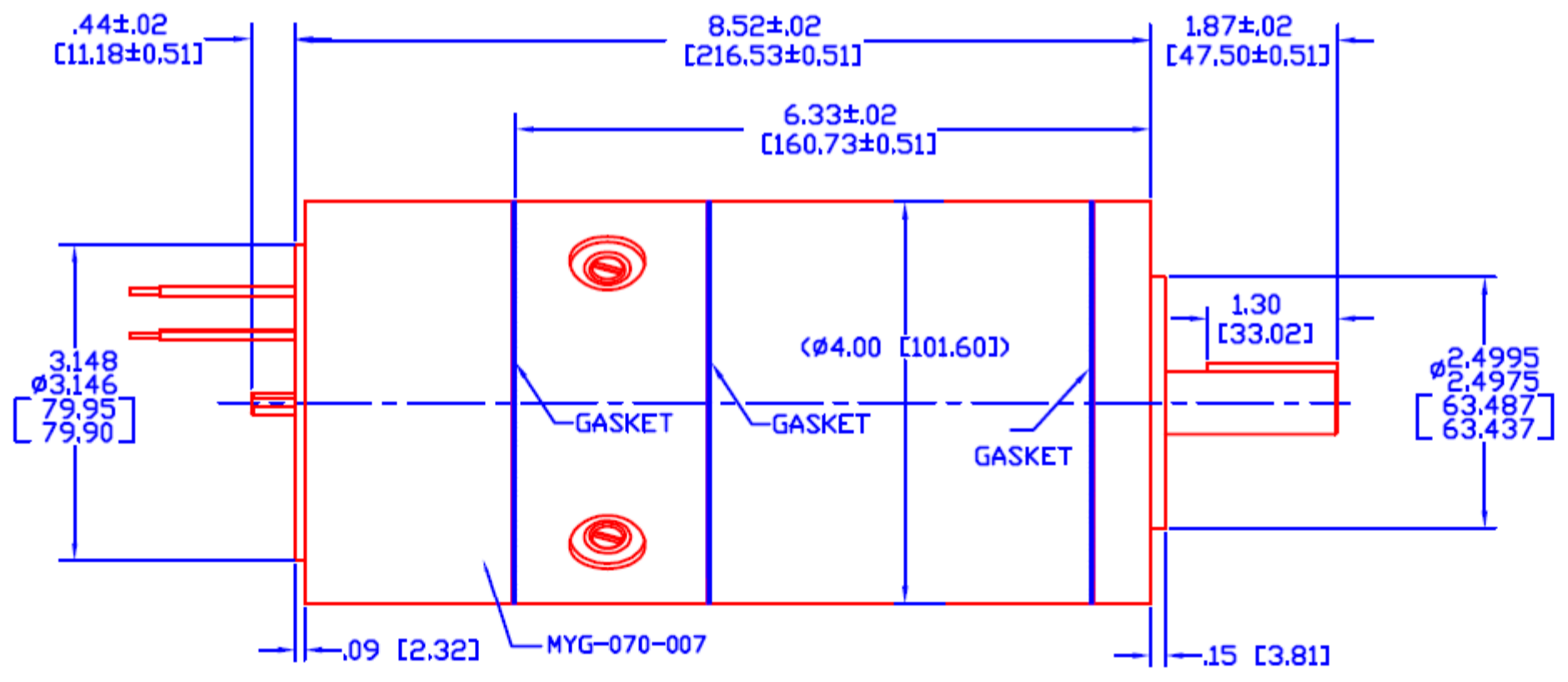
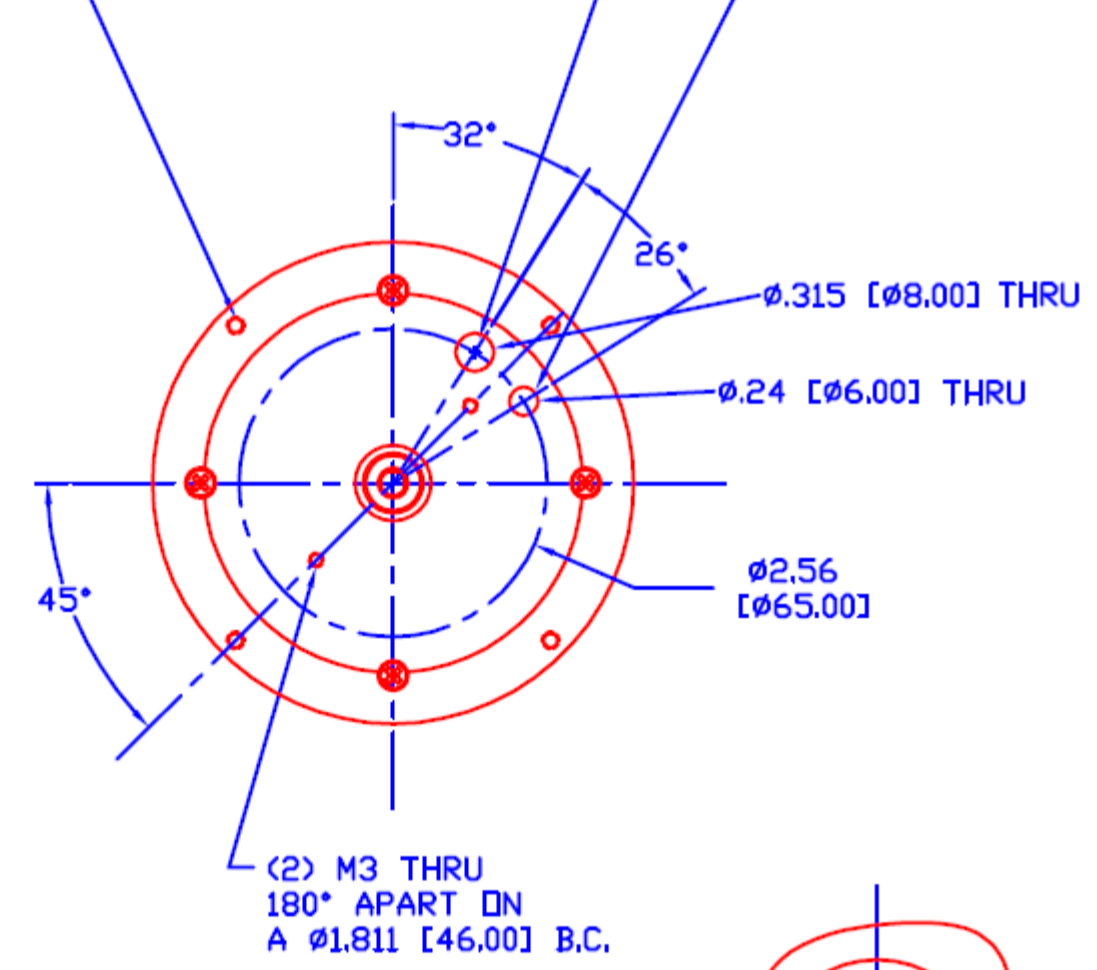
UNLESS OTHERWISE SPECIFIED TOLERANCES			PROJECTION		servo dynamics	
DECIMALS	Inch	[mm]			<b>TITLE</b> MOTOR ASSEMBLY	
.0	±.020	±0.50				
.00	±.010	±0.25	<b>APPROVALS</b> <b>DATE</b>		<b>SIZE</b> <b>DWG. NO.</b> D      MTS30F4-25B [020C]	
.000	±.005	±0.13				
FRACTIONS    ANGLES ± 1/16      ± 1/2			<b>DRAWN</b>		<b>REV</b> D	
BREAK ALL SHARP EDGES			<b>CHECKED</b>		<b>SCALE:</b> FULL	
			<b>APPROVED</b>		<b>SHEET 1 OF 2</b>	
			<b>USED ON</b>			

REVISIONS			
REV	DESCRIPTION	REDACTOR	DATE
A	PROTOTYPE		00/00/00
B	1.30 WAS 1.500, Ø.6248/.6243 WAS Ø.6248/.6245 CHANGE TACH TO RDC 205	ZHAO	2011/01/13
C	CHANGED DESCRIPTION OF THE TACH	LU	2011/10/08
D	CHANGE TACH	HAI	2012/10/11

MOTOR LEADS 14 AWG  
5'±1' LENGTH  
COLOR FUNCTION  
RED MOTOR (+)  
BLACK MOTOR (-)  
TRIP BACK INSULATION .3'±.1'

TACH:  
TACH CABLE 22AWG, 2 CONDUCTOR  
5'±1' LENGTH  
COLOR FUNCTION  
RED TACH (+)  
BLACK TACH (-)  
TRIP BACK INSULATION .3'±.1'

(4) M4 X .236 [6.00] DEEP  
90° APART DN  
A Ø3.700 [93.98] B.C.



TACH SPECIFICATIONS:

TACH: MYG-070-007  
COLOR FUNCTION  
RED TACH (+)  
BLACK TACH (-)

TACH VOLTAGE SENSITIVITY: 7 V/KRPM  
TACH VOLTAGE RIPPLE PEAK TO PEAK: 3% MAX.  
TACH WITH SILVER BRUSH

MOTOR SPECIFICATIONS:

TORQUE CONSTANT (Kt) = 31.1 ±10% OZ-IN/AMP  
VOLTAGE CONSTANT (Ke) = 23.0 ±10% VOLTS/KRPM

NOTE: MOTOR ROTATION IS CLOCKWISE WHEN VIEWED FROM OUTPUT SHAFT WITH POSITIVE VOLTAGE APPLIED TO RED LEAD.

UNLESS OTHERWISE SPECIFIED TOLERANCES

DECIMALS	Inch	[mm]
.0	±.020	±0.50
.00	±.010	±0.25
.000	±.005	±0.13

FRACTIONS: ± 1/16  
ANGLES: ± 1/2°  
BREAK ALL SHARP EDGES

PROJECTION	
APPROVALS	DATE
DRAWN: Hong	10.08.31
CHECKED	
APPROVED	
USED ON	

TITLE: MOTOR ASSEMBLY

SIZE: D	DWG. NO.: MTS30F4-25B [020C]	REV: D
SCALE: FULL		SHEET 2 OF 2