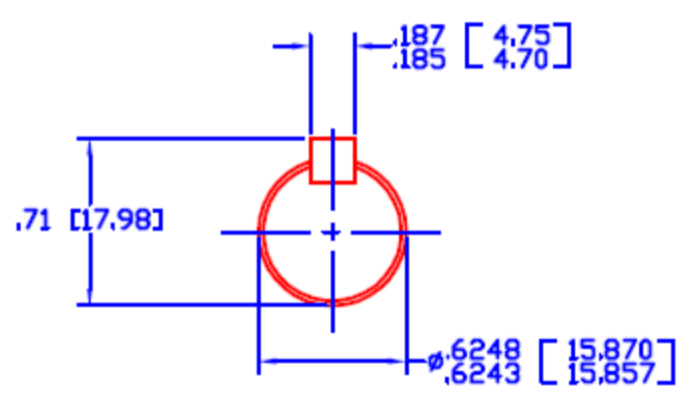
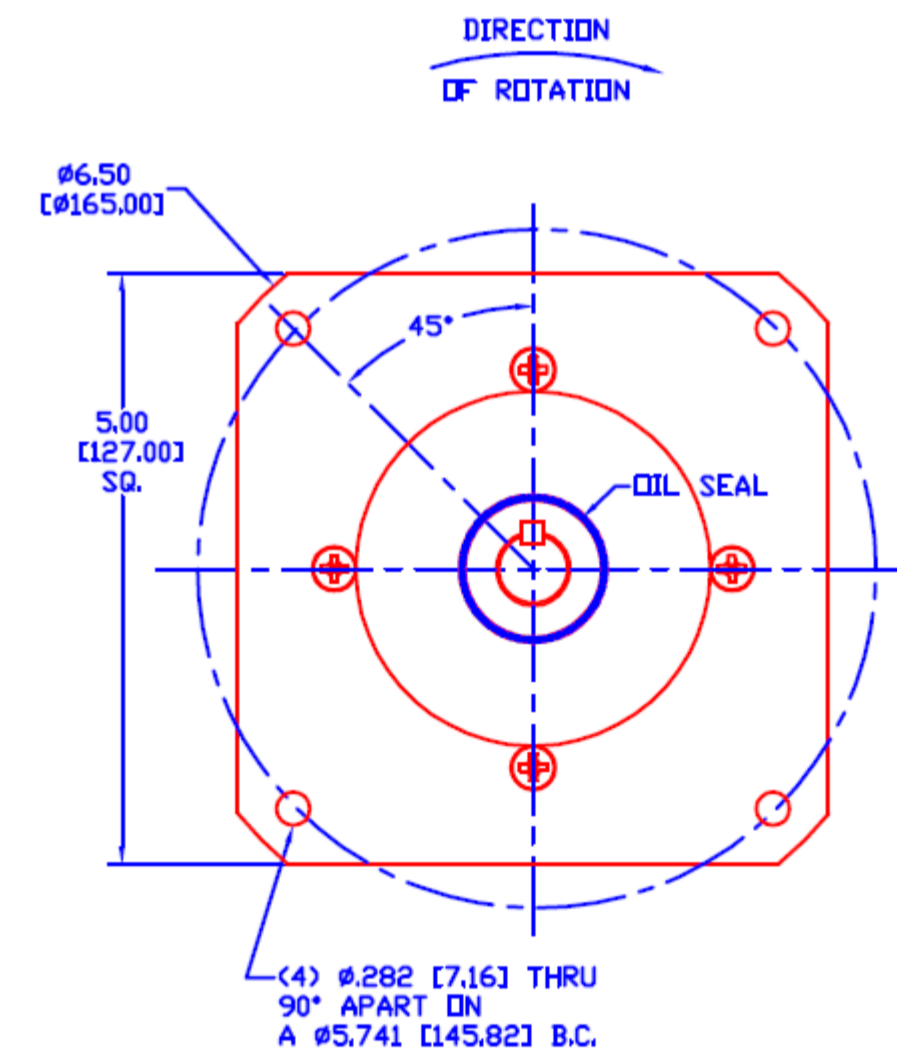
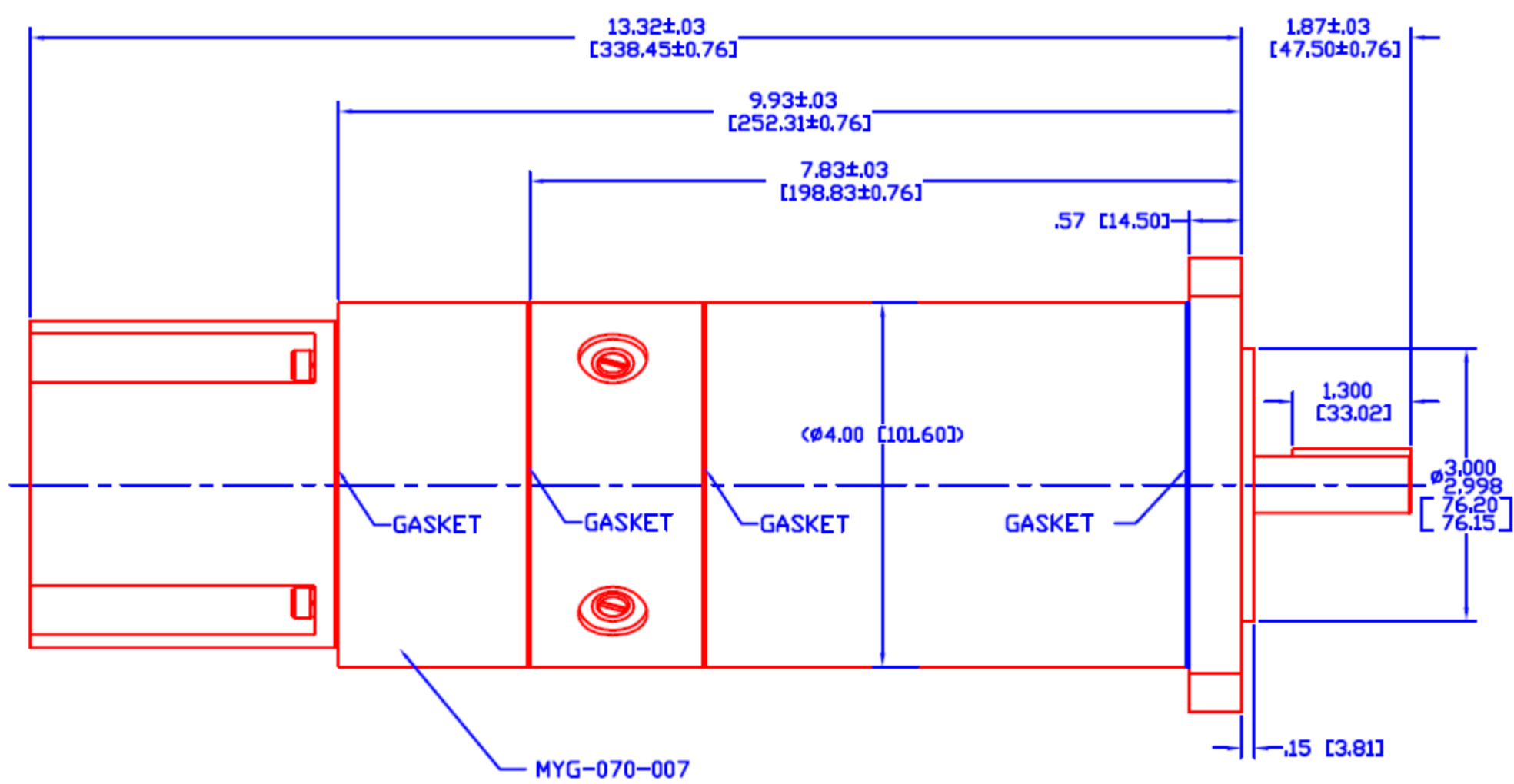
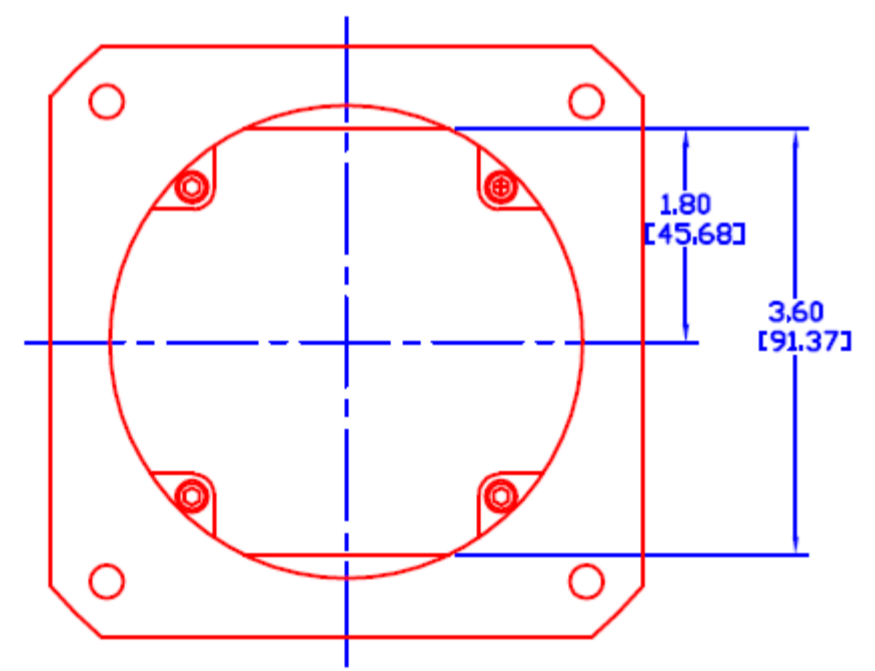
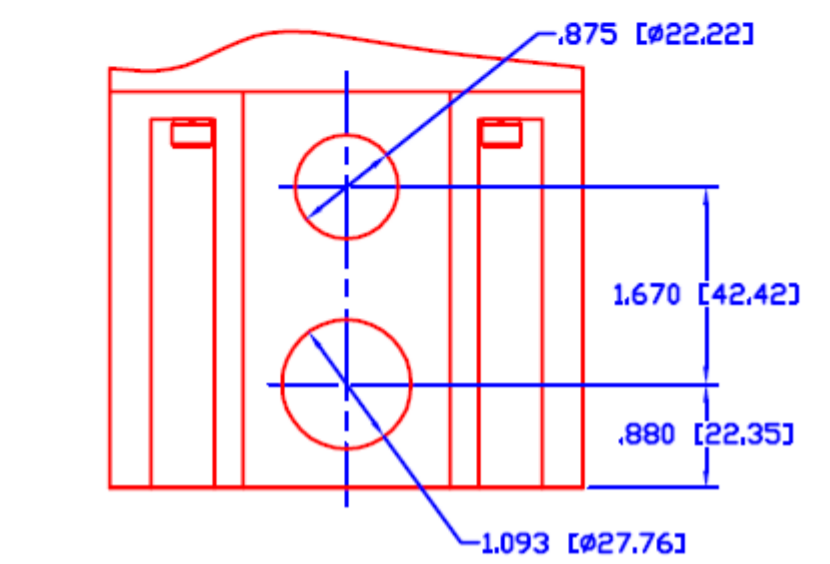


REVISIONS			
REV	DESCRIPTION	REDACTOR	DATE
A	PROTOTYPE		00/00/00
B	CHANGE COVER FOR ENCODER	HA	01/10/16



**TACH SPECIFICATIONS:**

TACH: MYG-070-007	
COLOR	FUNCTION
RED	TACH (+)
BLACK	TACH (-)

TACH VOLTAGE SENSITIVITY: 7 V/KRPM  
TACH VOLTAGE RIPPLE PEAK TO PEAK: 3% MAX.  
TACHD WITH SILVER BRUSH

**MOTOR SPECIFICATIONS:**

TORQUE CONSTANT (Kt) = 47.9 ±10% OZ-IN/AMP  
VOLTAGE CONSTANT (Ke) = 35.4 ±10% VOLTS/KRPM

NOTE: MOTOR ROTATION IS CLOCKWISE WHEN VIEWED FROM OUTPUT SHAFT WITH POSITIVE VOLTAGE APPLIED TO RED LEAD.

UNLESS OTHERWISE SPECIFIED TOLERANCES		
DECIMALS	Inch	[mm]
.0	±.020	±0.50
.00	±.010	±0.25
.000	±.005	±0.13

PROJECTION	
APPROVALS	DATE
DRAWN	15.10.12
CHECKED	
APPROVED	
USED IN	

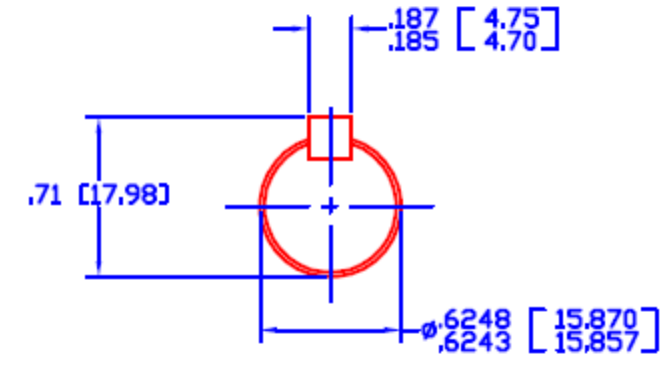
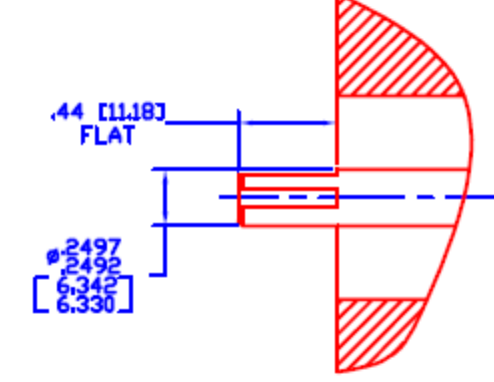
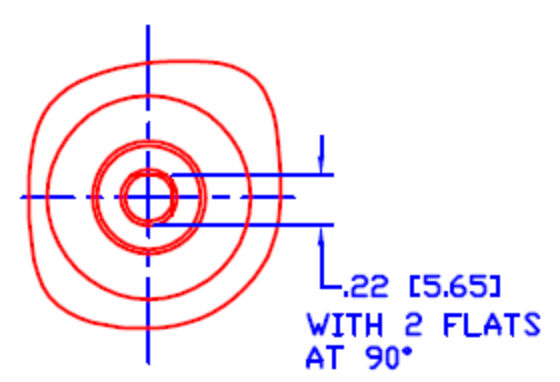
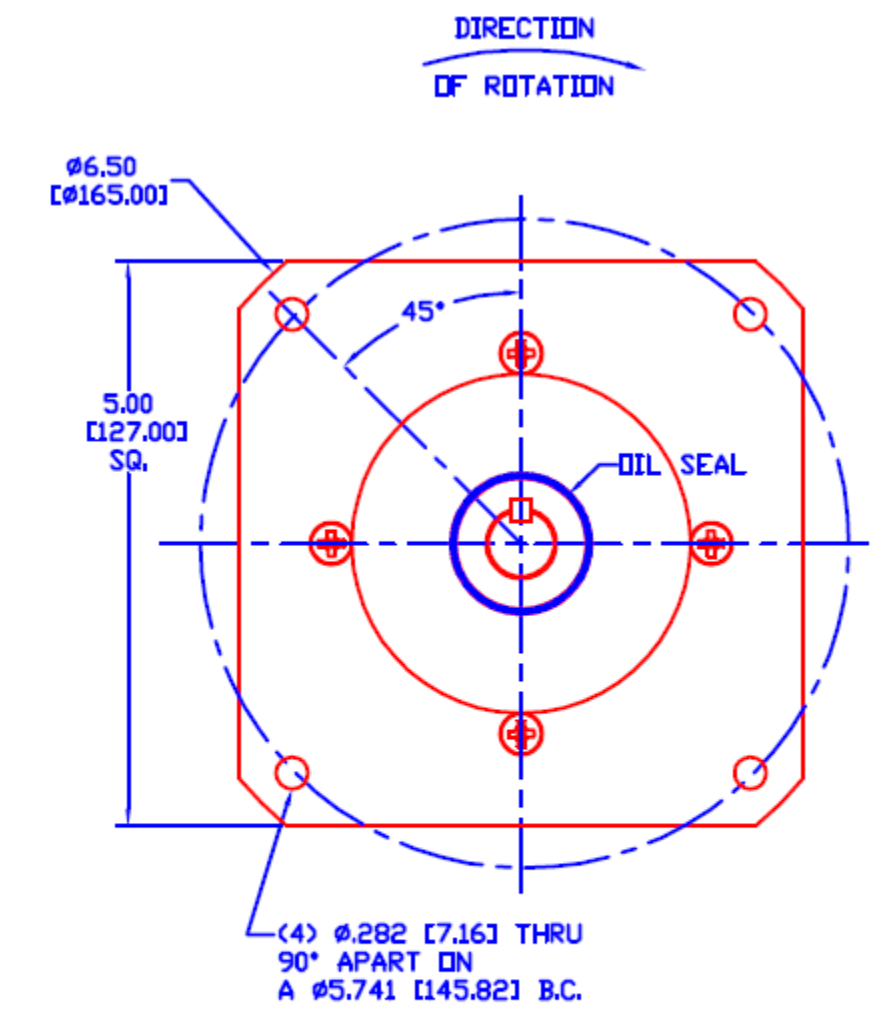
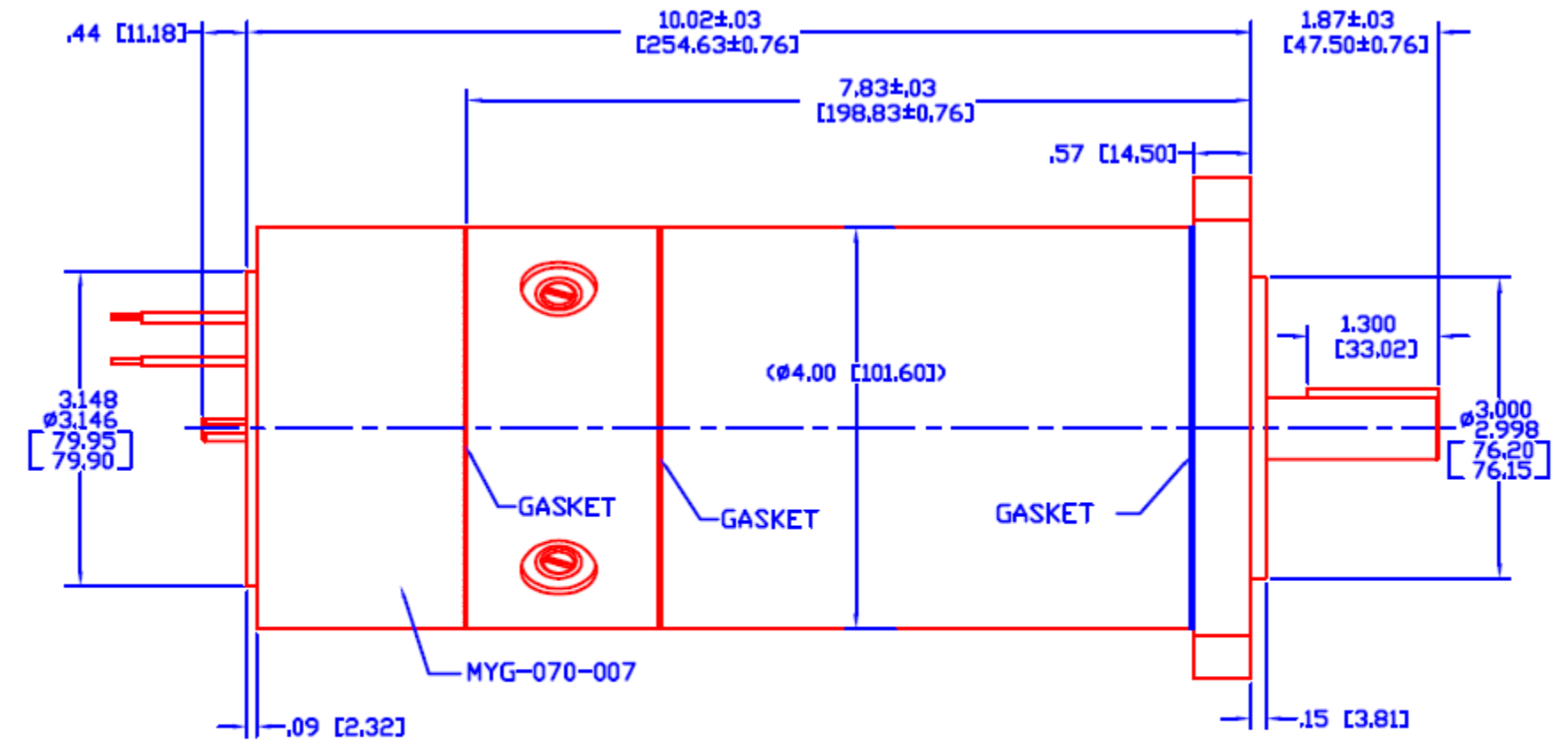
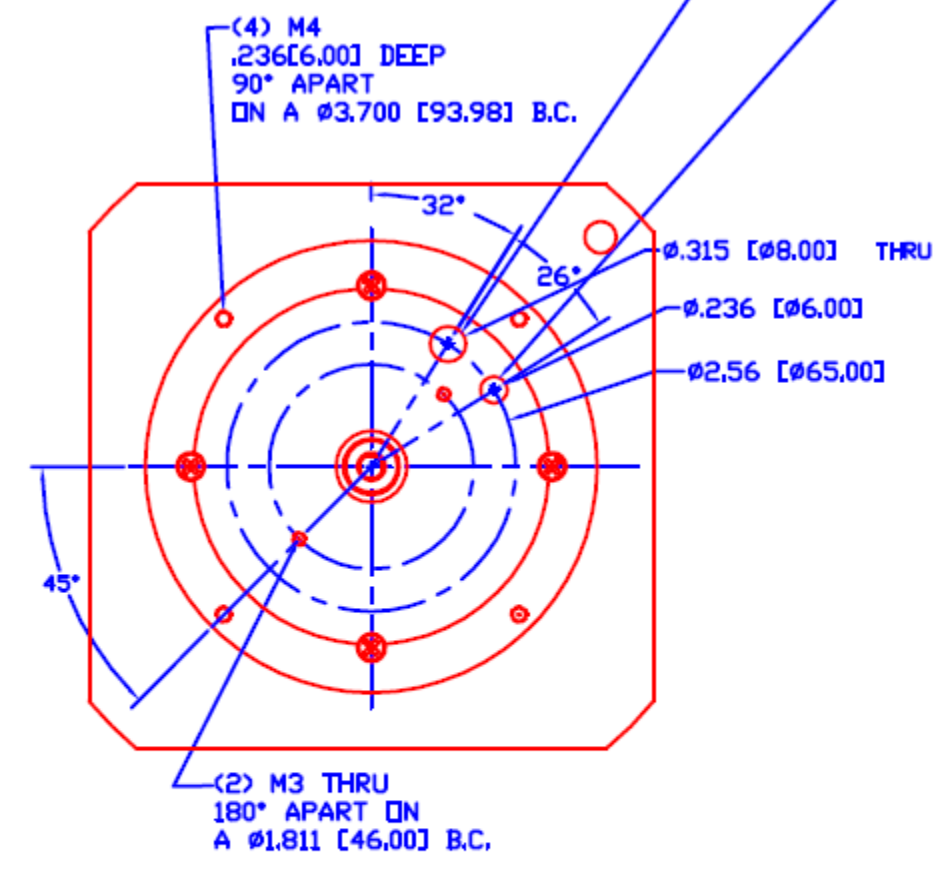
**servo dynamics**

TITLE		MOTOR ASSEMBLY	
SIZE	DWG. NO.	REV	
D	MTS30M4-38B [018C]	B	
SCALE: FULL		SHEET 1 OF 2	

REVISIONS			
REV	DESCRIPTION	REDACTOR	DATE
A	PROTOTYPE		00/00/00
B	CHANGE COVER FOR ENCODER	HAI	2012/10/16

MOTOR LEADS 14 AWG  
 5'±1' LENGTH  
 COLOR FUNCTION  
 RED MOTOR (+)  
 BLACK MOTOR (-)  
 TRIP BACK INSULATION .3'±.1'

TACH  
 TACH CABLE 22AWG, 2 CONDUCTOR  
 5'±1' LENGTH  
 COLOR FUNCTION  
 RED TACH (+)  
 BLACK TACH (-)  
 TRIP BACK INSULATION .3'±.1'



TACH SPECIFICATIONS:

TACH: MYG-070-007  
 COLOR FUNCTION  
 RED TACH (+)  
 BLACK TACH (-)

TACH VOLTAGE SENSITIVITY: 7 V/KRPM  
 TACH VOLTAGE RIPPLE PEAK TO PEAK: 3% MAX.  
 TACHD WITH SILVER BRUSH

MOTOR SPECIFICATIONS:

TORQUE CONSTANT (Kt) = 47.9 ±10% OZ-IN/AMP  
 VOLTAGE CONSTANT (Ke) = 35.4 ±10% VOLTS/KRPM

NOTE: MOTOR ROTATION IS CLOCKWISE WHEN VIEWED FROM OUTPUT SHAFT WITH POSITIVE VOLTAGE APPLIED TO RED LEAD.

UNLESS OTHERWISE SPECIFIED TOLERANCES

DECIMALS	Inch	mm
.0	±.020	±0.50
.00	±.010	±0.25
.000	±.005	±0.13

FRACTIONS ± 1/16 ANGLES ± 1/2° BREAK ALL SHARP EDGES

PROJECTION

APPROVALS	DATE
DRAWN	15.10.12
CHECKED	
APPROVED	
USED ON	

TITLE MOTOR ASSEMBLY

SIZE D	DWG. NO. MTS30M4-38B [018C]	REV B
SCALE: FULL		SHEET 2 OF 2