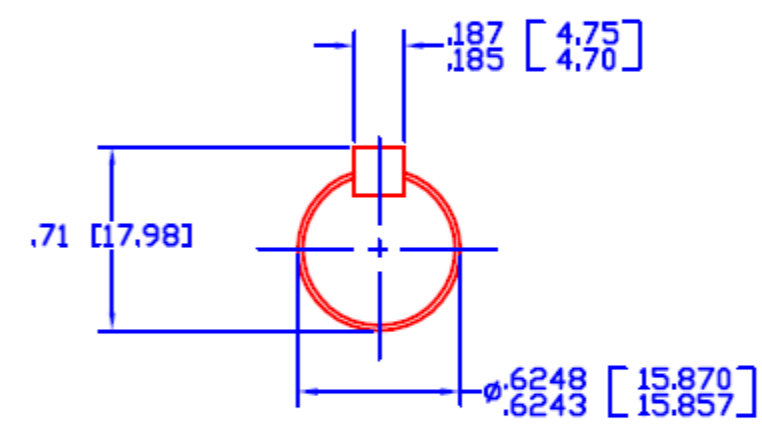
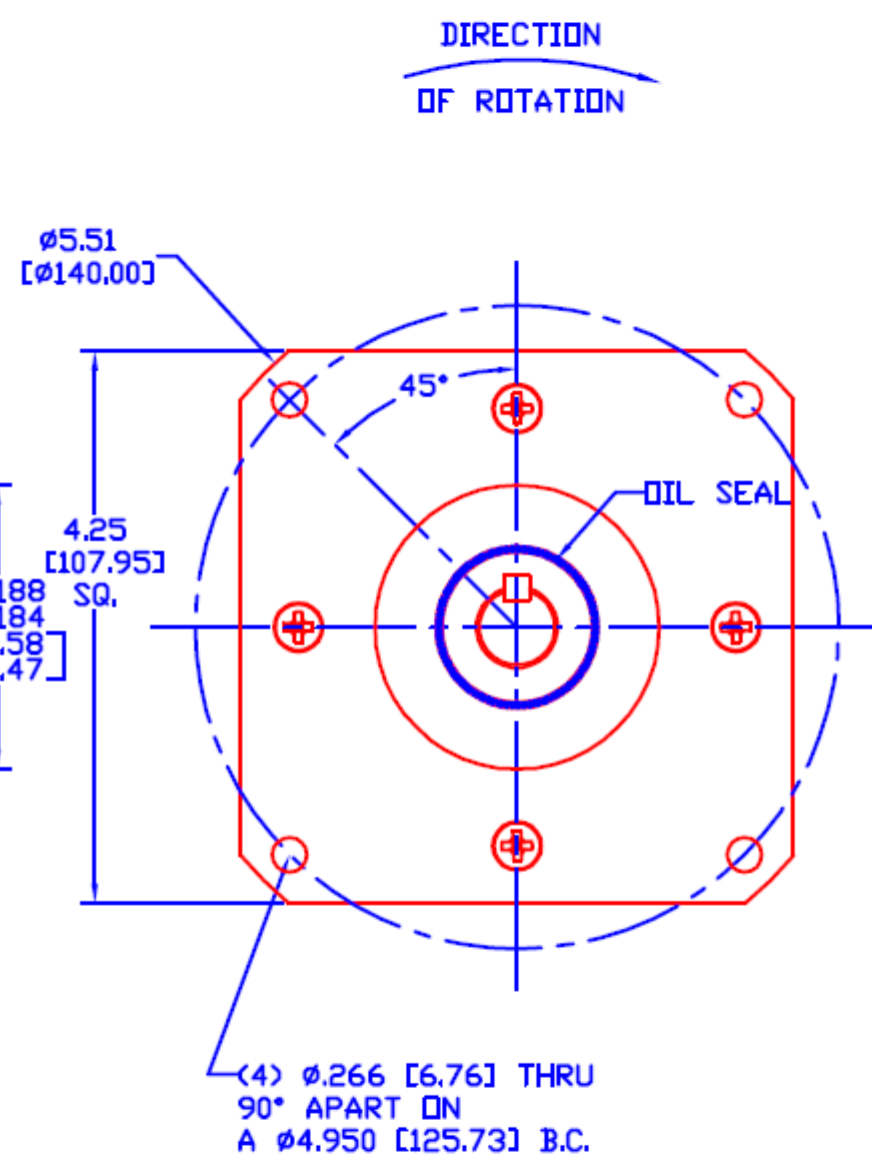
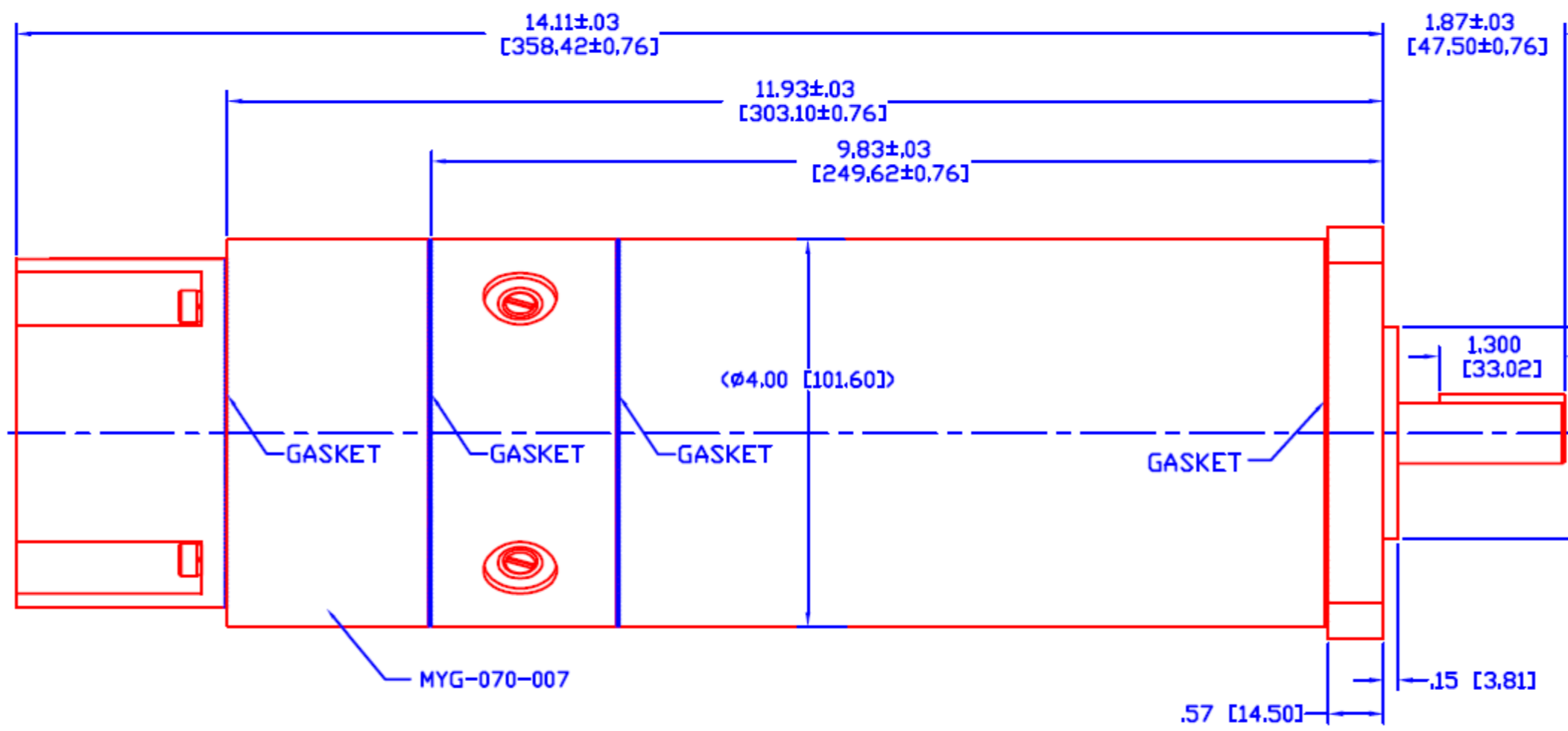
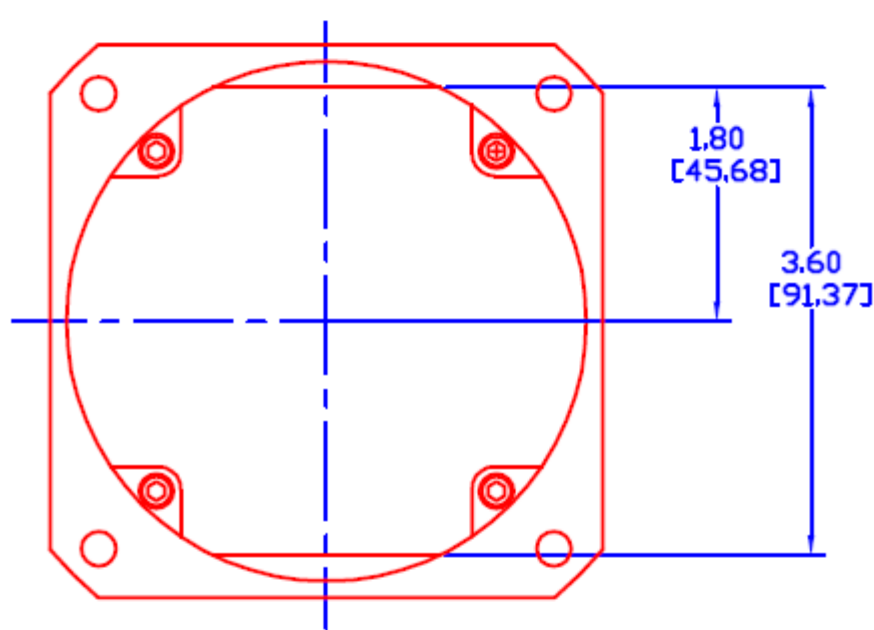
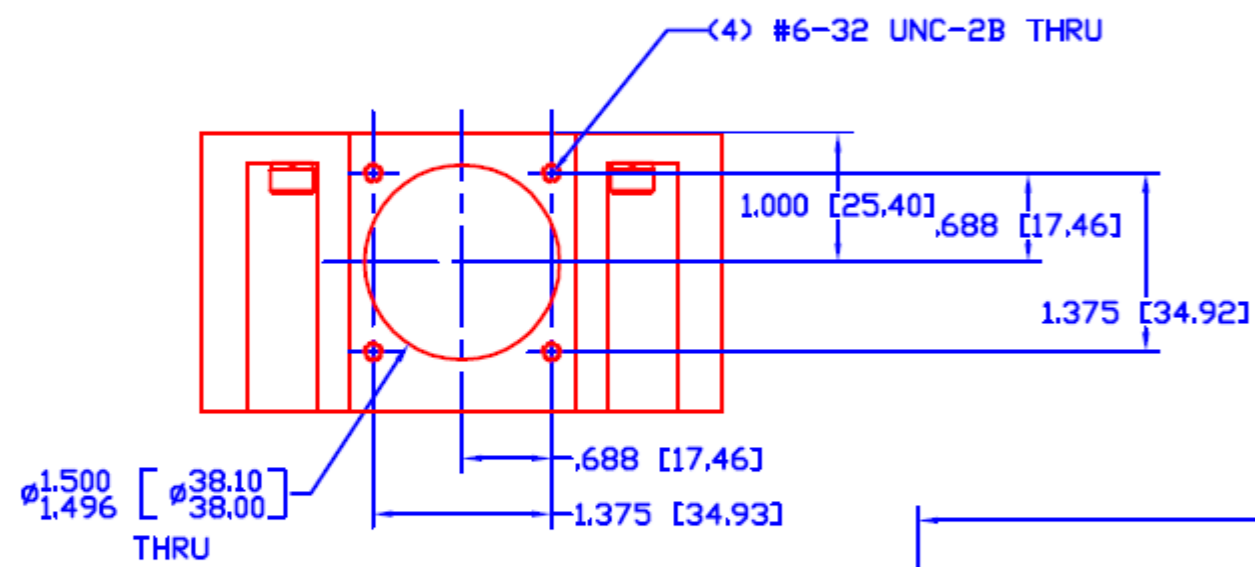


REVISIONS			
REV	DESCRIPTION	REDACTOR	DATE
1	RELEASE TO PRODUCTION		12/10/16



**TACH SPECIFICATIONS:**

TACH: MYG-070-007  
 COLOR FUNCTION  
 RED TACH (+)  
 BLACK TACH (-)

TACH VOLTAGE SENSITIVITY: 7 V/KRPM  
 TACH VOLTAGE RIPPLE PEAK TO PEAK: 3% MAX.  
 TACHD WITH SILVER BRUSH

**MOTOR SPECIFICATIONS:**

TORQUE CONSTANT (Kt) = 55.4 ±10% OZ-IN/AMP  
 VOLTAGE CONSTANT (Ke) = 41 ±10% VOLTS/KRPM

NOTE: MOTOR ROTATION IS CLOCKWISE WHEN VIEWED FROM OUTPUT SHAFT WITH POSITIVE VOLTAGE APPLIED TO RED LEAD.

UNLESS OTHERWISE SPECIFIED TOLERANCES

DECIMALS	Inch	mm
.0	±.020	±0.50
.00	±.010	±0.25
.000	±.005	±0.13

FRACTIONS ANGLES  
 ± 1/16 ± 1/8  
 BREAK ALL SHARP EDGES

PROJECTION	
APPROVALS	DATE
DRAWN	
CHECKED	
APPROVED	
USED ON	

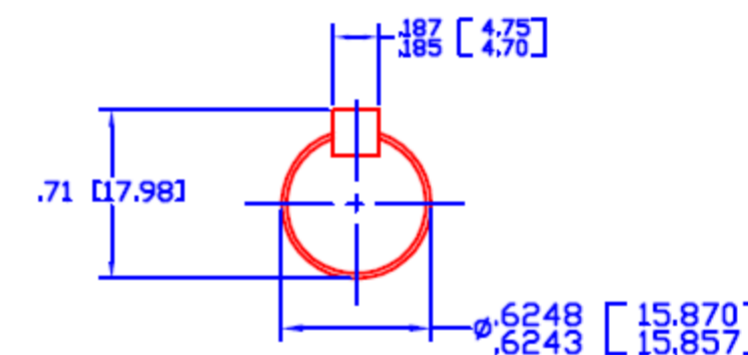
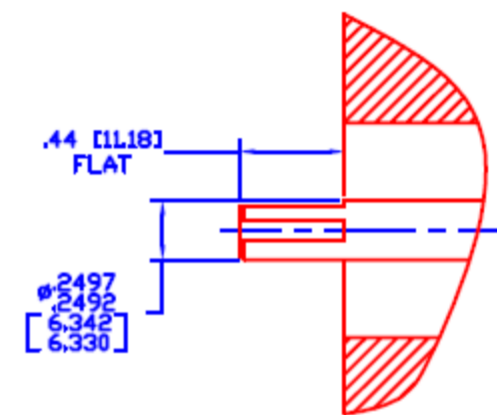
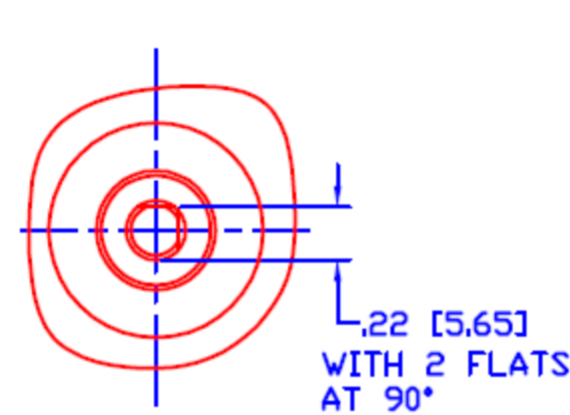
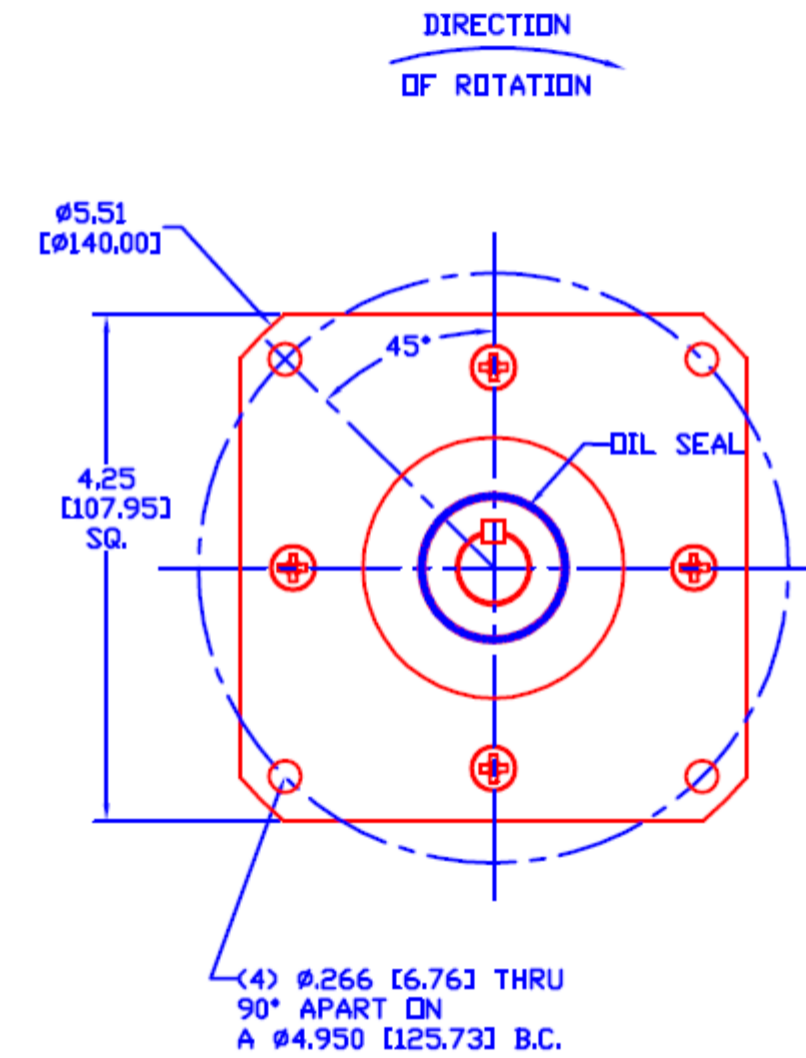
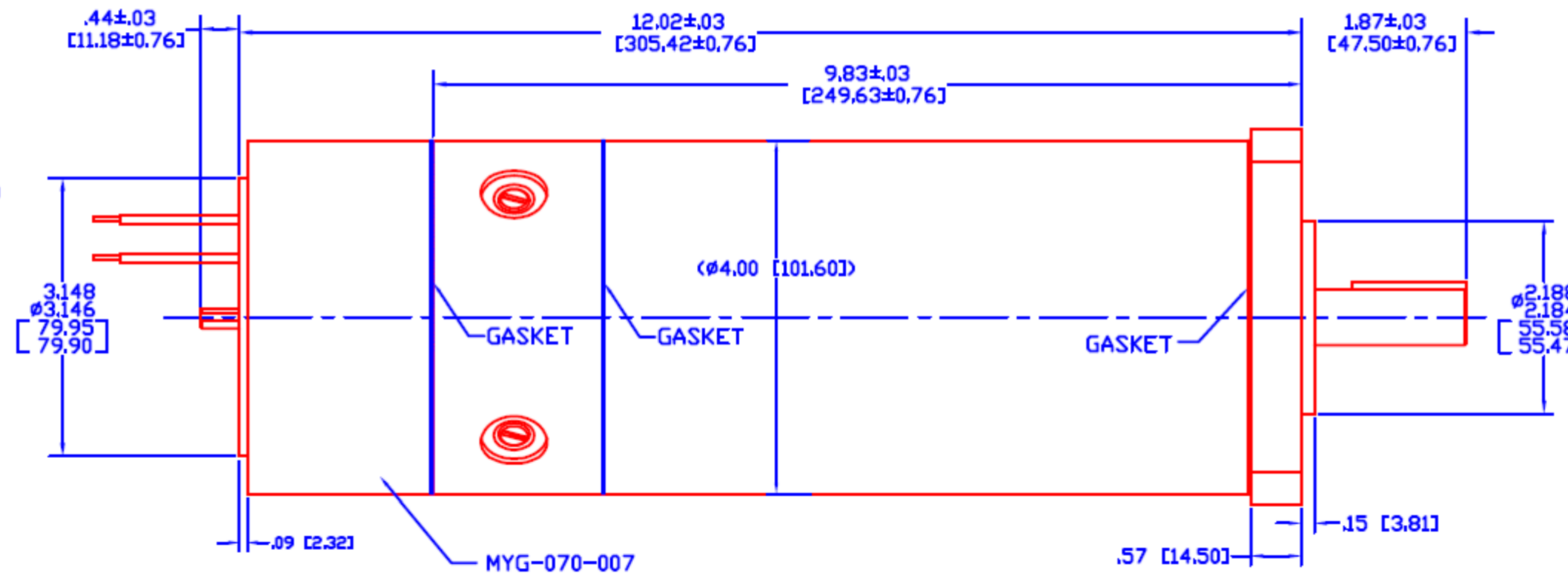
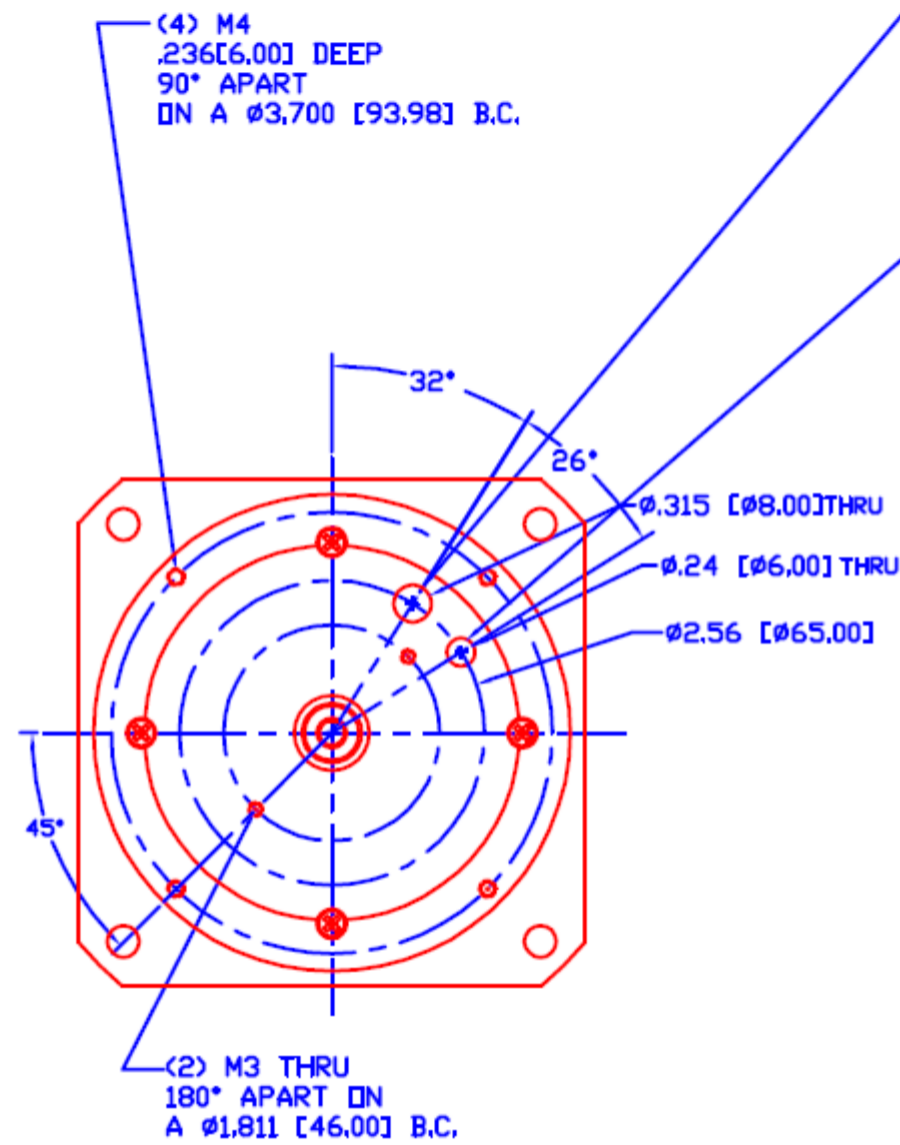
**servo dynamics**

TITLE		
MOTOR ASSEMBLY		
SIZE	DWG. NO.	REV
D	MTS30U4-42B [013C]	A
SCALE: FULL		SHEET 1 OF 2

REVISIONS			
REV	DESCRIPTION	REDACTOR	DATE
1	RELEASE TO PRODUCTION		12/10/16

MOTOR LEADS 14 AWG  
5'±1' LENGTH  
COLOR FUNCTION  
RED MOTOR (+)  
BLACK MOTOR (-)  
TRIP BACK INSULATION .3'±.1'

TACH  
TACH CABLE 22AWG, 2 CONDUCTOR  
5'±1' LENGTH  
COLOR FUNCTION  
RED TACH (+)  
BLACK TACH (-)  
TRIP BACK INSULATION .3'±.1'



TACH SPECIFICATIONS:

TACH: MYG-070-007  
COLOR FUNCTION  
RED TACH (+)  
BLACK TACH (-)

TACH VOLTAGE SENSITIVITY: 7 V/KRPM  
TACH VOLTAGE RIPPLE PEAK TO PEAK: 3% MAX.  
TACH WITH SILVER BRUSH

MOTOR SPECIFICATIONS:

TORQUE CONSTANT (Kt) = 55.4 ±10% OZ-IN/AMP  
VOLTAGE CONSTANT (Ke) = 41 ±10% VOLTS/KRPM

NOTE: MOTOR ROTATION IS CLOCKWISE WHEN VIEWED FROM OUTPUT SHAFT WITH POSITIVE VOLTAGE APPLIED TO RED LEAD.

UNLESS OTHERWISE SPECIFIED TOLERANCES

DECIMALS	Inch	[mm]
.0	±.020	±0.50
.00	±.010	±0.25
.000	±.005	±0.13

FRACTIONS: ± 1/16  
ANGLES: ± 1/2°  
BREAK ALL SHARP EDGES

PROJECTION

APPROVALS	DATE
DRAWN: Hong	10.07.21
CHECKED:	
APPROVED:	
USED ON:	

TITLE: MOTOR ASSEMBLY

SIZE	DWG. NO.	REV
D	MTS30U4-42B [013C]	A

SCALE: FULL SHEET 2 OF 2